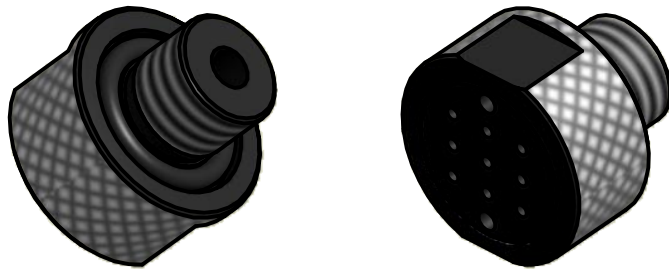
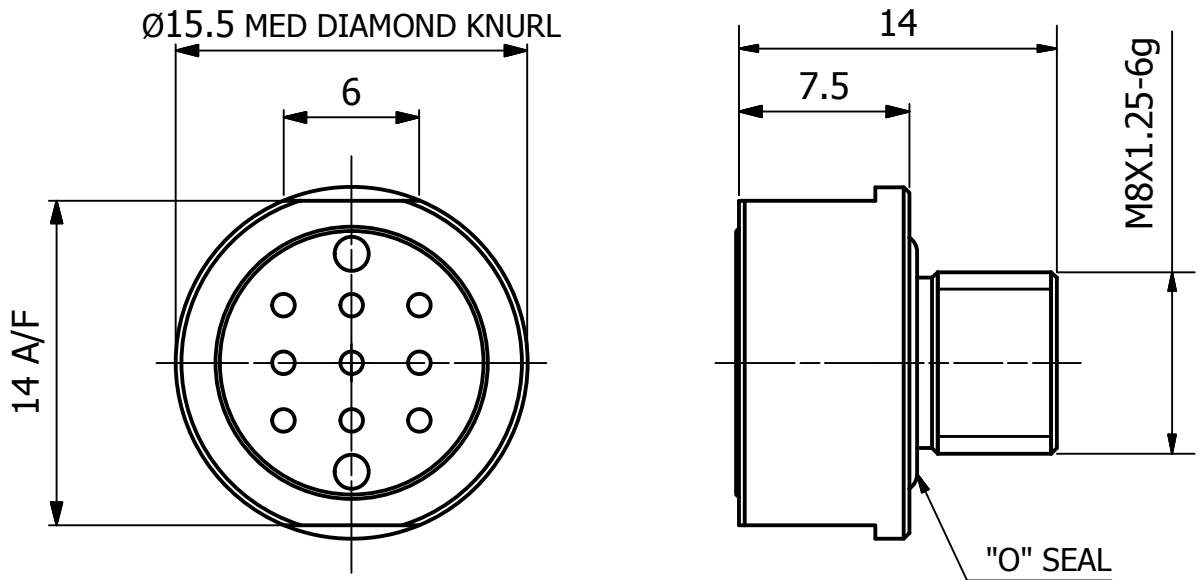


DRG No  
**BLD10693 INST**

REMOVE ALL SHARP EDGES  
 UNLESS SPECIFIED



DO NOT SCALE - ASK

USED ON



ISOMETRIC ( 2 : 1 )

THIS DESIGN IS THE PROPERTY OF BROWNELL LTD, AND MAY NOT BE COPIED OR REPRODUCED WITHOUT THEIR PRIOR WRITTEN PERMISSION

MATERIAL	PROTECTIVE FINISH				
ALUMINIUM ALLOY	ANODISED TO DEF STAN 03-25 & DYED BLACK				
		INTERNAL SEALS CHANGED	6860	2	18/10/16
				1	25/08/09
EST. WT.	THIRD ANGLE PROJECTION	CHANGE	MOD No	ISSUE	DATE
DIMS IN mm	SURFACE TEXTURE	TOLERANCES : UNLESS OTHERWISE STATED			
SCALE 3:1					
 RED DOT = ORIGINAL  BLACK DOT = COPY	<b>BROWNELL LTD</b> LONDON NW10 7XF		DRAWN RB	CHECKED <i>NP</i>	
TITLE IMMERSION BREATHER		DRAWING No. <b>BLD10693 INST</b>			