

THIS DRAWING IS THE PROPERTY OF BROWNELL LTD, AND MAY NOT BE COPIED OR REPRODUCED WITHOUT THEIR PRIOR WRITTEN PERMISSION

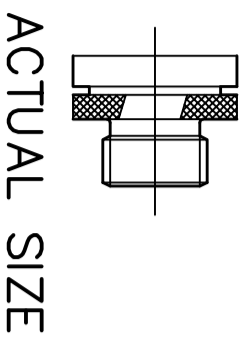
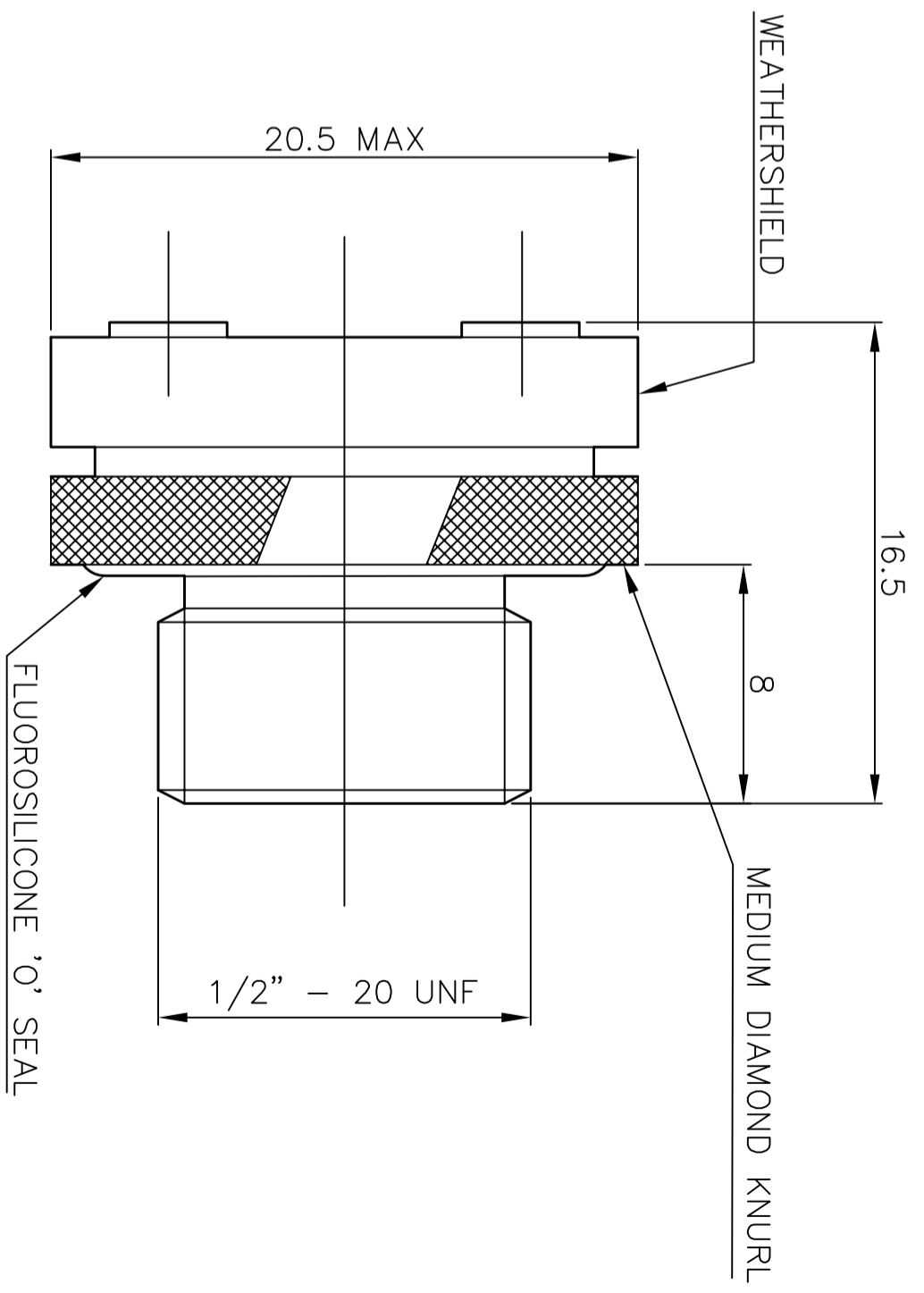
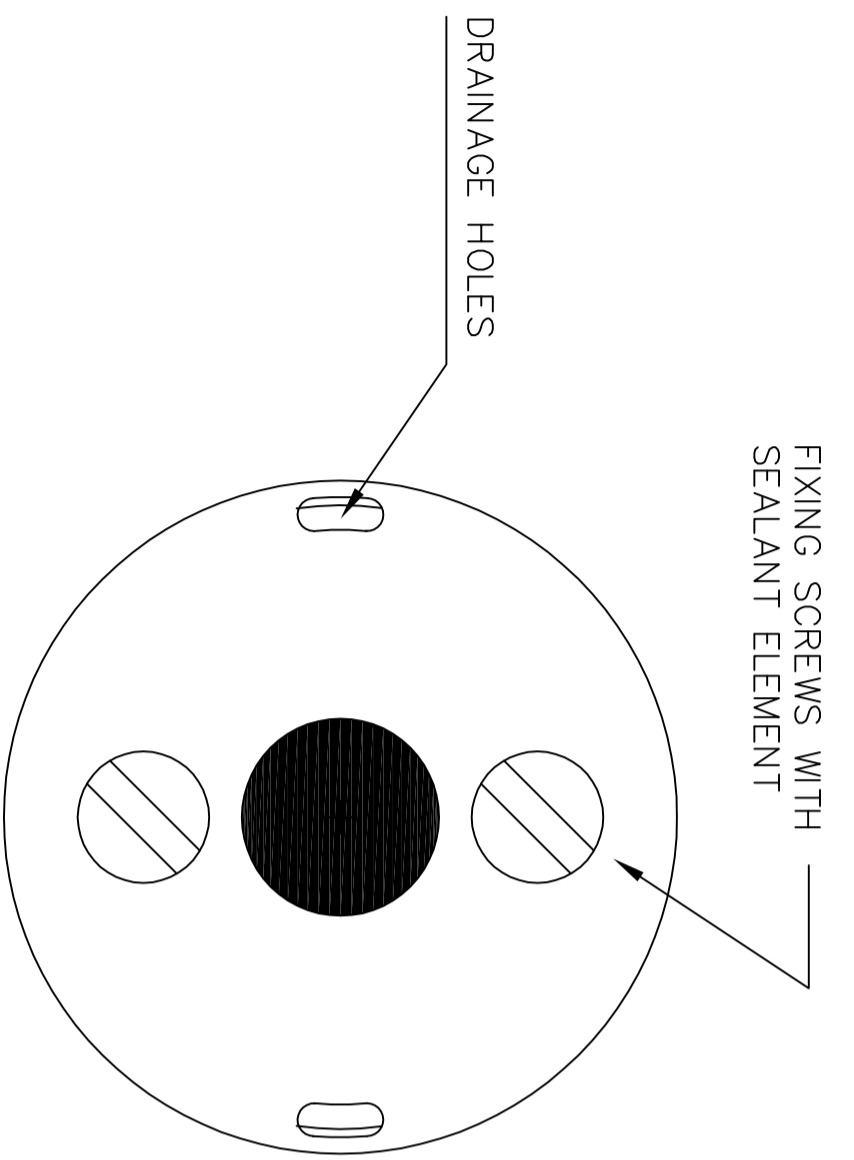
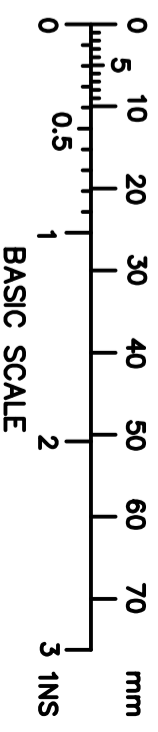
DRG No  
BL/D11304 INST

USED ON

THIRD ANGLE PROJECTION

REMOVE ALL SHARP EDGES UNLESS SPECIFIED

DO NOT SCALE - ASK



<b>MATERIAL</b>	ALUMINIUM ALLOY
<b>PROTECTIVE FINISH</b>	ANODISE DEF STAN 03-25 DYE BLACK
<b>EST. WT.</b>	—

<b>TOLERANCES</b>	—
<b>DIMENSIONS IN in/mm</b>	mm
<b>SURFACE ROUGHNESS</b>	—
<b>SCALE (ORIGINAL)</b>	4:1

<b>TITLE</b>	<b>BROWNELL Ltd. LONDON NW10 7XF</b>
	DOUBLE DIFFERENTIAL VALVE

<b>DRAWING NUMBER</b>	BL/D11304 INST
<b>CHANGE</b>	ORIGINAL
<b>MOD No</b>	1
<b>ISSUE</b>	1
<b>DATE</b>	11-04-12
<b>DRAWN</b>	PL
<b>CHECKED</b>	

RED DOT=ORIGINAL  
BLACK DOT=COPY