

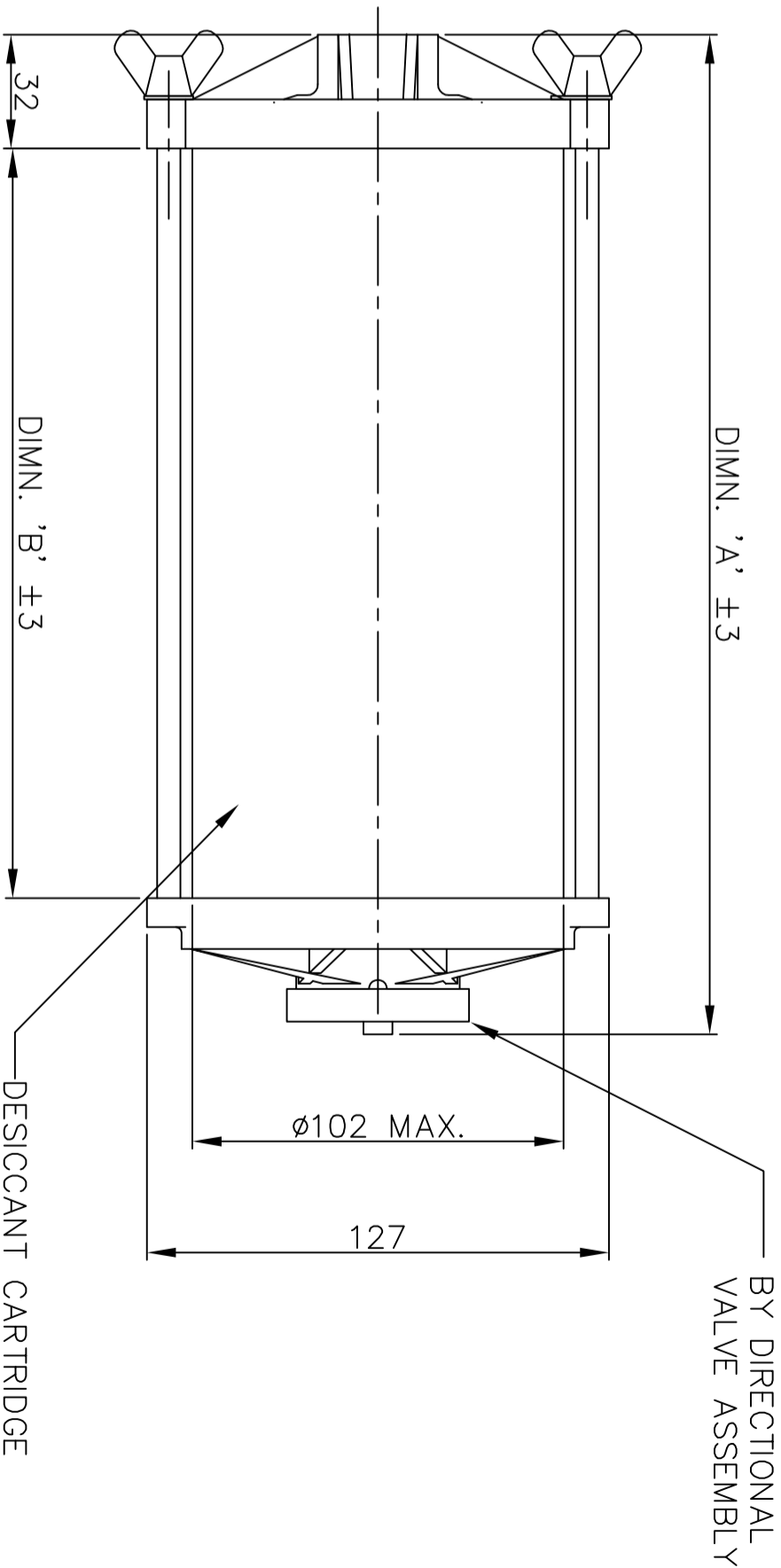
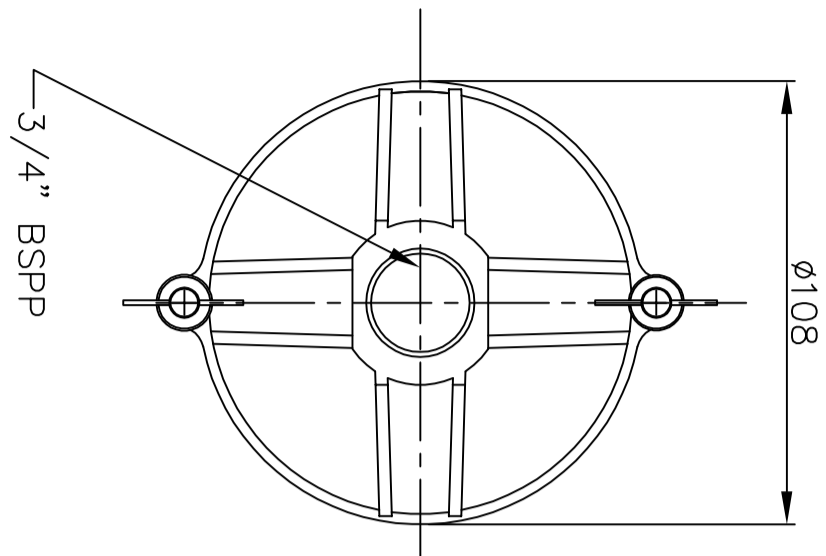
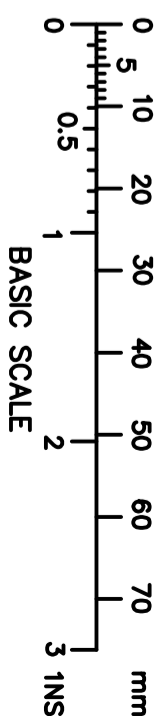
THIS DRAWING IS THE PROPERTY OF BROWNELL LTD, AND MAY NOT BE COPIED OR REPRODUCED WITHOUT THEIR PRIOR WRITTEN PERMISSION

DRG No
BL/D1140/01-03 INST
USED ON

THIRD ANGLE PROJECTION

REMOVE ALL SHARP EDGES UNLESS SPECIFIED

DO NOT SCALE - ASK



DRG No.	NATO STOCK No.	SIZE	DIMN. 'A'	DIMN. 'B'	REFILL CARTRIDGE
BL/D1140/01		S	174	106	BL/D6437/01
BL/D1140/02	4440-99-767-8132	T	274	206	BL/D6437/02
BL/D1140/03		U	474	406	BL/D6437/03

MATERIAL
POLYCARBONATE & ALUM ALLOY

PROTECTIVE FINISH
ALUM ALLOY ANODISED

EST. WT. _____

TOLERANCES ± 2

DIMENSIONS IN In/mm	MM
SURFACE ROUGHNESS	—
SCALE (ORIGINAL)	1:2

BROWNELL Ltd. LONDON NW10 7XF

TITLE TRANSFORMER BREATHER
MARK 3

DRAWING NUMBER
BL/D1140/01-03 INST

NOTE	ADDED	BY	DATE
NOTE ADDED	6539	11	06.03.13
REDRAWN	5700	10	14-06-05
CHANGE	MOD No	ISSUE	DATE

RED DOT=ORIGINAL
BLACK DOT=copy

DRAWN PL

CHECKED