

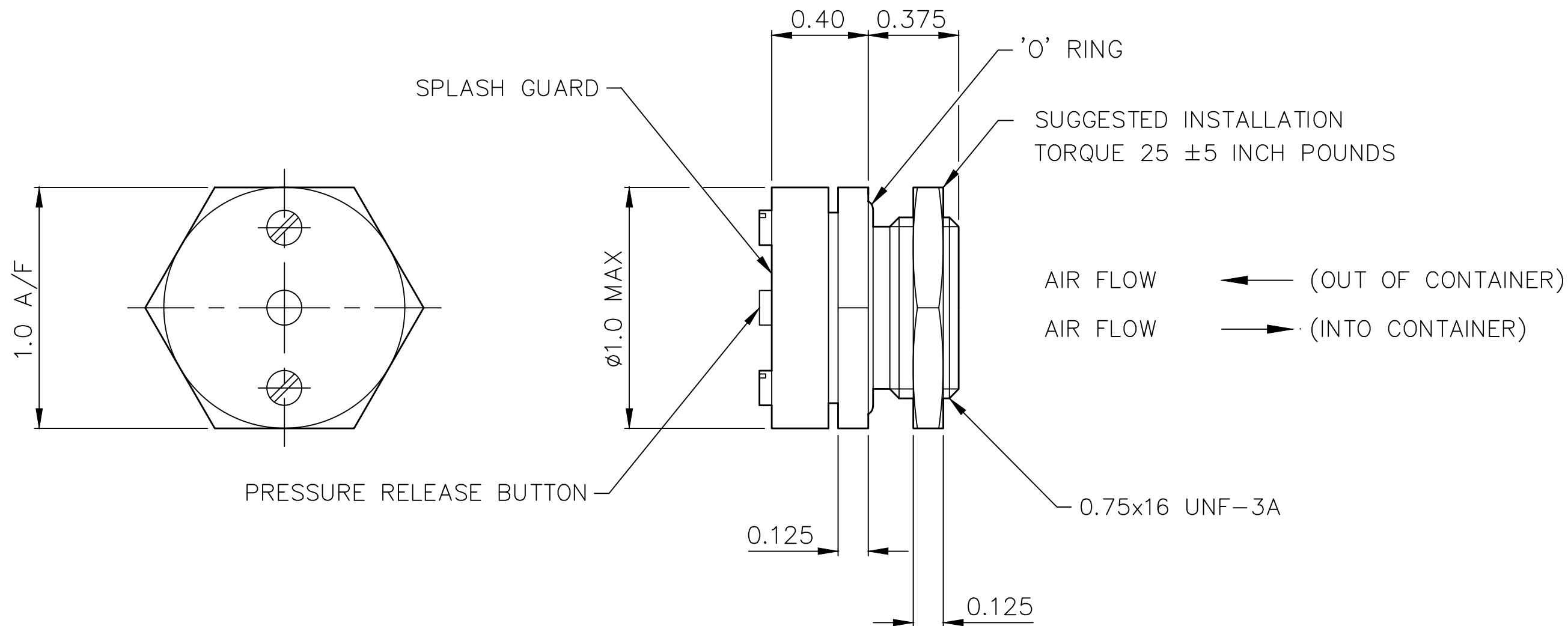
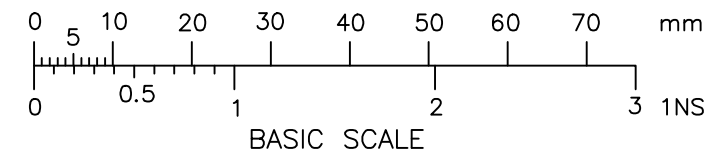
DRG No
BL/D11485 INST

USED ON —

THIRD ANGLE PROJECTION

REMOVE ALL SHARP EDGES UNLESS SPECIFIED

DO NOT SCALE — ASK



OPENING PRESSURE: VALVE TO RESEAL BY 100 MILLIBAR (1.45 PSI) IN BOTH DIRECTIONS.

CRACKING PRESSURE: APPROXIMATELY 138 MILLIBAR (2.0 PSI).

NOTES:

*PACKED 50 PER BOX WITH CELL FOR EACH VALUE.

NOTE ADDED	6807	2	11/2/16
DRAFT		1	26/3/14
CHANGE	MOD No	ISSUE	DATE

MATERIAL	PROTECTIVE FINISH	TOLERANCES UNLESS STATED	±0.020	BROWNELL LTD LONDON NW10	● RED DOT = ORIGINAL ● BLACK DOT = COPY	DRAWN RB	CHECKED
ALUM ALLOY	ANODISE BLACK			TITLE	DRAWING No		
EST. WT. —		DIMNS IN INS/	SCALE (ORIGINAL) 2 : 1	TWO-WAY PRESSURE RELIEF VALVE	BL/D11485 INST		

THIS DESIGN IS THE PROPERTY OF BROWNELL LTD AND MAY NOT BE COPIED OR REPRODUCED WITHOUT THEIR PRIOR WRITTEN PERMISSION