

**DRG No**

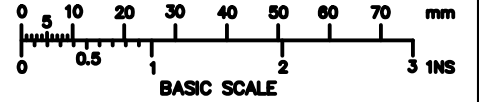
BL/D12056/01-03 INST

USED ON \_\_\_\_\_

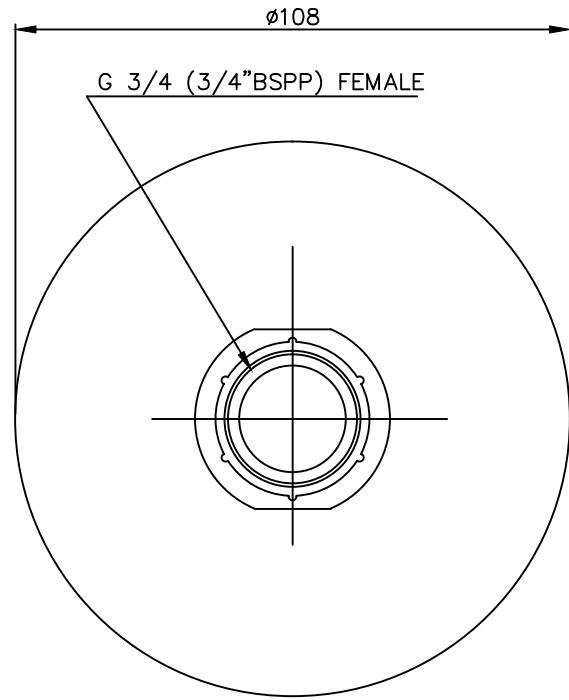
**THIRD ANGLE PROJECTION**

REMOVE ALL SHARP EDGES UNLESS SPECIFIED

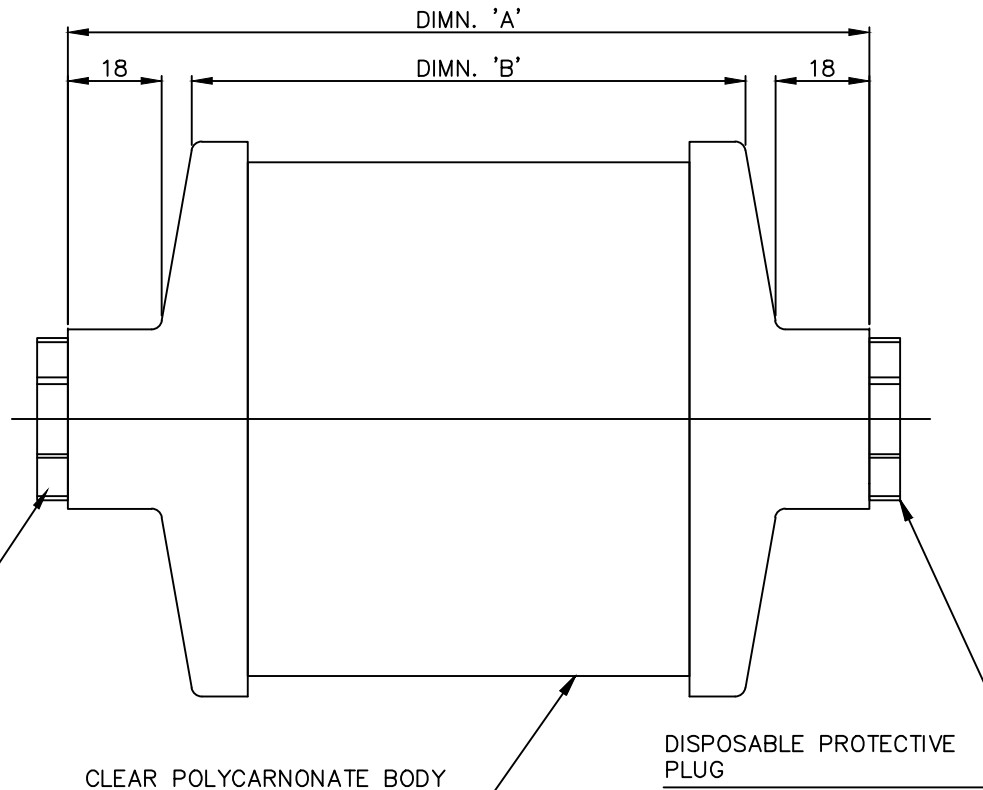
DO NOT SCALE - ASK



THIS DRAWING IS THE PROPERTY OF BROWNELL LTD., AND MAY NOT BE COPIED OR REPRODUCED WITHOUT THEIR PRIOR WRITTEN PERMISSION



DISPOSABLE PROTECTIVE PLUG



CLEAR POLYCARBONATE BODY FILLED WITH MOLECULAR SIEVE

DRG No	SIZE	DIMN 'A'	DIMN 'B'
BL/D10787/01	LD1	157	108
BL/D10787/02	LD2	249	200
BL/D10787/03	LD3	351	302


ORIGINAL		1	11-06-15
CHANGE	MOD No	ISSUE	DATE

<b>MATERIAL</b>	GLASS LOADED & UV STABILIZED POLYCARBONATE
<b>EST. WT.</b>	_____

<b>PROTECTIVE FINISH</b>	_____
--------------------------	-------

<b>TOLERANCES</b>	±2
<b>DIMENSIONS IN in/mm</b>	mm
<b>SURFACE ROUGHNESS</b>	_____
<b>SCALE (ORIGINAL)</b>	1:1

<b>BROWNELL Ltd. LONDON NW10 7XF</b>	
<b>TITLE</b>	IN-LINE DRYER (SIZES LD1, LD2 & LD3)

<input type="radio"/> RED DOT=ORIGINAL <input type="radio"/> BLACK DOT=COPY	<b>DRAWN</b> RB	<b>CHECKED</b> 
<b>DRAWING NUMBER</b>		
BL/D12056/01-03 INST		