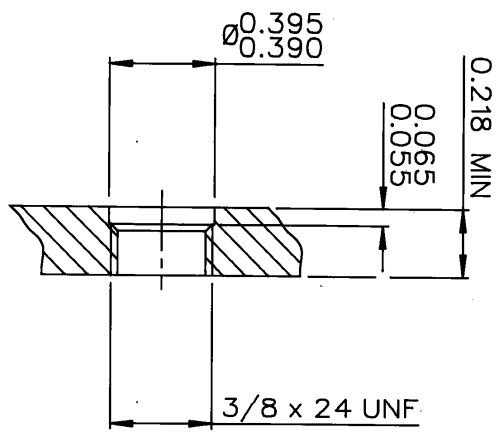
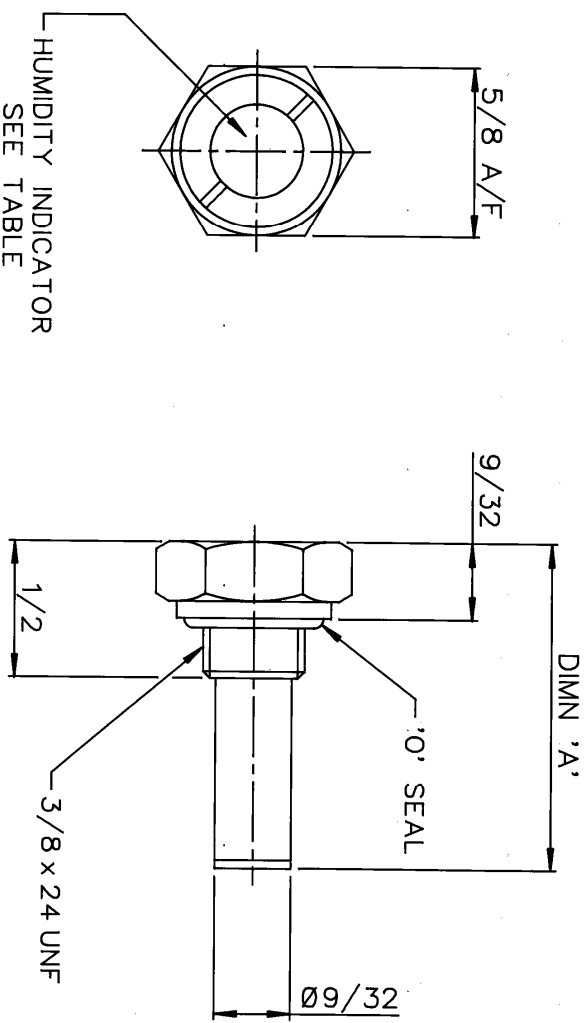
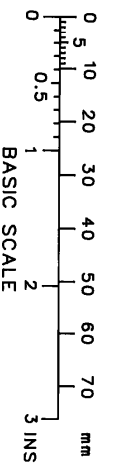


DRG No  
BL/D 1222/01-04 INST  
USED ON

THIRD ANGLE PROJECTION  
REMOVE ALL BURRS & SHARP EDGES  
DO NOT SCALE - ASK



PANEL MOUNTING DETAIL

| DRG No        | NATO STOCK No    | DIMN 'A' | INDICATOR LEVEL | DESICCANT                              |
|---------------|------------------|----------|-----------------|--|
| BL/D1222/01   | 4440-99-199-7310 | 1.2      | 50% RH          | NON-INDICATING<br>BEADED SILICA<br>GEL |
| BL/D1222/02   | 4440-99-745-4889 | 1.7      | 50% RH          |  |
| BL/D1222/03   |                  | 2.1      | 50% RH          |  |
| BL/D1222/04   |                  | 2.5      | 50% RH          |  |
| BL/D1222/01MS |                  | 1.2      | 30% RH          | MOLECULAR<br>SIEVES                    |
| BL/D1222/02MS | 6640-99-560-4407 | 1.7      | 30% RH          |  |
| BL/D1222/03MS |                  | 2.1      | 30% RH          |  |
| BL/D1222/04MS |                  | 2.5      | 30% RH          |  |

NOTES

1. RECHARGE DESICCATOR WHEN HUMIDITY INDICATOR IS NO LONGER BLUE - DO NOT REACTIVATE.
2. DESICCATOR MUST NOT BE SUBJECTED TO TEMPERATURES GREATER THAN 70°C.
3. PACKAGED FOR A TEMPERATE SHELF LIFE OF 5 YEARS.

|          |                            |                                   |       |  |                              |               |       |         |
|----------|----------------------------|-----------------------------------|-------|--|------------------------------|---------------|-------|---------|
| MATERIAL | PROTECTIVE FINISH          | TOLERANCES UNLESS STATED          | ±1/64 | TITLE  | BROWNELL LIMITED LONDON NW10 | CUSTOMER REF. | DRAWN | CHECKED |
| BRASS    | NICKEL FLASH<br>ZINC & PAS | DIMNS IN INS/<br>SCALE (ORIGINAL) | 2 : 1 | DESICCANT CONTAINER DEHUMIDIFIER<br>(PANEL MOUNTING) |                              |               | LJ    |         |
| EST. WT. |                            |                                   |       |  |                              |               |       |         |

| REDRAWN - INDICATOR ADDED | 5798 | 6 | 16/5/01 |
|---------------------------|------|---|---------|
| /02-NSN ADDED             | 5045 | 5 | 21/4/97 |
| MOUNTING DETAIL ADDED     | 4925 | 4 | 17/6/96 |
| NSN ADDED                 | 4207 | 3 | 3/2/93  |
| FINISH CHANGED            | 3502 | 2 | 10/5/88 |
| CHANGE                    |      | 1 | 9/8/74  |

DRAWING No  
BL/D 1222/01-04 INST