

DRG No
BL/D12886 INST

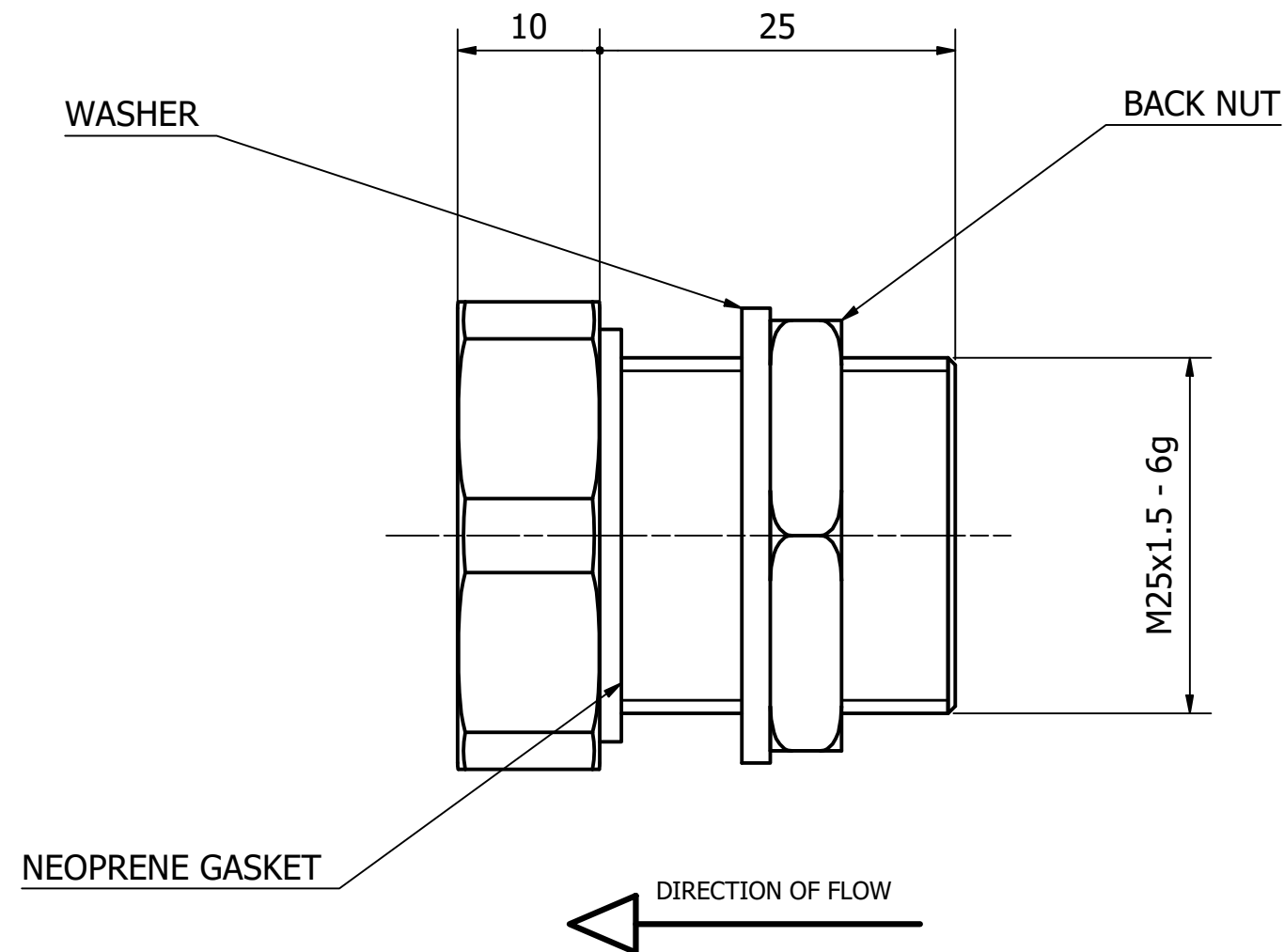
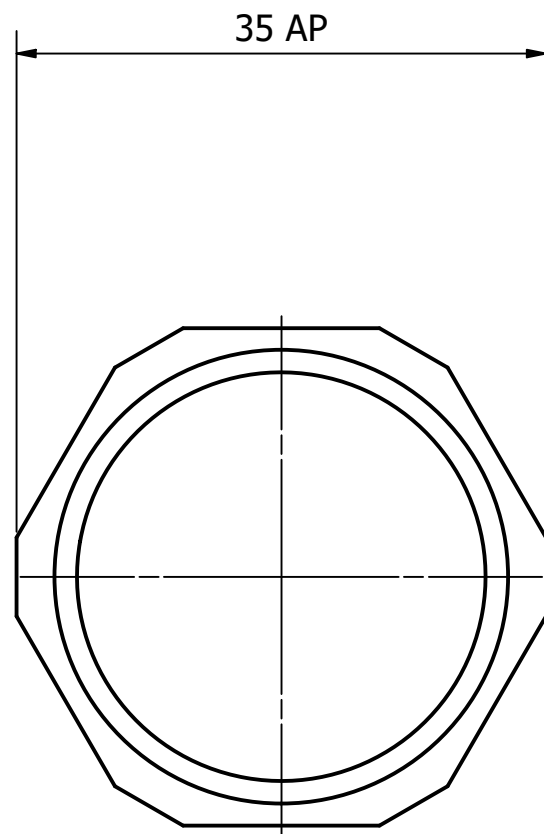
REMOVE ALL SHARP EDGES UNLESS SPECIFIED

THIRD ANGLE PROJECTION

DO NOT SCALE - ASK

USED ON -----

THIS DRAWING IS THE PROPERTY OF BROWNELL LTD. AND MAY NOT BE COPIED OR REPRODUCED WITHOUT THEIR PRIOR WRITTEN PERMISSION



0.1 PSI CRACKING PRESSURE

REMOVED O-RING RECESS	7042	2	16/11/18
ORIGINAL		1	15/11/18
CHANGE	MOD No	ISSUE	DATE

MATERIAL ALUMINIUM ALLOY BS1474 HE30TF OR BS4300/5	
EST. WT.	----

PROTECTIVE FINISH BLACK ANODISED TO DEF STAN 03-25

UNLESS OTHERWISE STATED	ANGULAR DIMS ± 0.5°	LINEAR DIMS 0 =± 0.5 0.0 =± 0.25 0.00 =± 0.05
SURFACE ROUGHNESS		
DIMENSIONS IN in/mm		mm
SCALE (ORIGINAL)		2:1

BROWNELL Ltd. LONDON NW10 7XF	
TITLE HIGH FLOW OUTWARD VALVE WITH GASKET	

RED DOT=ORIGINAL BLACK DOT=COPY	DRAWN LDW	CHECKED NP
DRAWING NUMBER BL/D12886 INST		