

THIS DRAWING IS THE PROPERTY OF BROWNELL LTD. AND MAY NOT BE COPIED OR REPRODUCED WITHOUT THEIR PRIOR WRITTEN PERMISSION

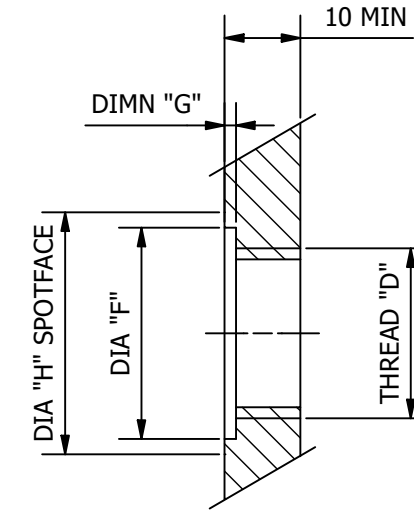
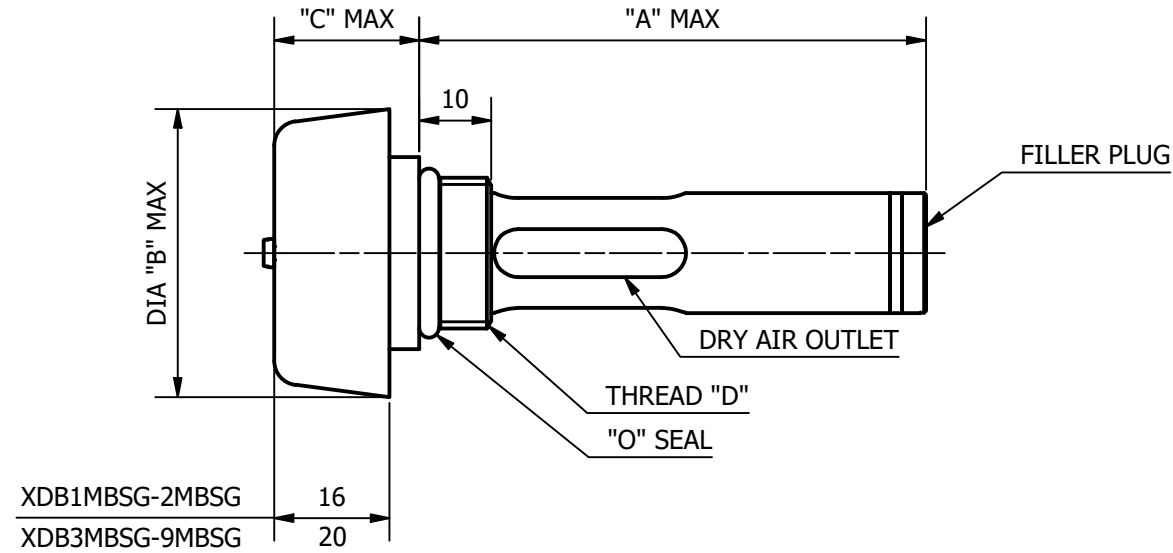
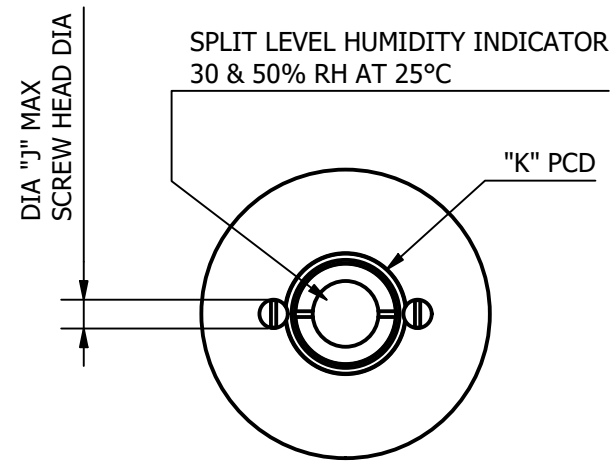
DRG No SHT 1 OF 4 SHTS
BL/D2233/01-09 INST

REMOVE ALL SHARP EDGES UNLESS SPECIFIED

THIRD ANGLE PROJECTION

DO NOT SCALE - ASK

USED ON ---



PANEL MOUNTING DETAILS

IF THE PANEL IS OF INSUFFICIENT THICKNESS SEE DEF STAN 44-2 PART 1 FOR ALTERNATIVE METHOD METHOD OF MOUNTING

DRG No	NSN	STYLE	"A" MAX	DIA "B" MAX	"C" MAX	THREAD "D"	NOMINAL CONTENTS	NOM. WKG. CAPACITY	DIA "F"	DIMN "G"	DIA "H"	DIA "J" MA	"K" PCD
BL/D2233/01	4440-99-225-3283	XDB1MBSG	63	39	20	M20x1.5-6g	5 GRM	7 LITRES	24	1.5	28	4	19
BL/D2233/02	4440-99-225-3284	XDB2MBSG	115	39	20	M20x1.5-6g	10 GRM	14 LITRES	24	1.5	28	4	19
BL/D2233/03	4440-99-225-3285	XDB3MBSG	55	56	26	M32x1.5-6g	20 GRM	28 LITRES	37	1.5	41	4.9	28.5
BL/D2233/04	4440-99-225-3286	XDB4MBSG	106	56	26	M32x1.5-6g	40 GRM	56 LITRES	37	1.5	41	4.9	28.5
BL/D2233/05	4440-99-225-3287	XDB5MBSG	104	63	26	M39x1.5-6g	60 GRM	84 LITRES	N.A.	N.A.	52	4.9	40.6
BL/D2233/06	4440-99-225-3288	XDB6MBSG	194	63	26	M39x1.5-6g	100 GRM	140 LITRES	N.A.	N.A.	52	4.9	40.6
BL/D2233/07	4440-99-225-3289	XDB7MBSG	219	77	26	M52x1.5-6g	200 GRM	280 LITRES	N.A.	N.A.	64	6.4	44.5
BL/D2233/08	4440-99-225-3290	XDB8MBSG	324	77	26	M52x1.5-6g	300 GRM	420 LITRES	N.A.	N.A.	64	6.4	44.5
BL/D2233/09	4440-99-225-3291	XDB9MBSG	334	90	26	M60x1.5-6g	400 GRM	560 LITRES	N.A.	N.A.	78	6.4	50.8

NOTES:

- FILLED WITH BEADED SILICA GEL DESICCANT TO BS7554.
- CONFORMS TO DEF STAN 44-2.
- PACKAGED FOR A SHELF LIFE OF 5 YEARS WHEN STORED IN TEMPERATE CONDITIONS.
- SEE SHEET 2 FOR BL/D2233/10-18, SHEET 3 FOR BL/D2233/19-27 & SHEET 4 FOR BL/D2233/28-36.

TITLE	7306	11	26/08/21
---	6800	10	20/01/16
ANODIC COLOUR CHANGED	5932	9	10/04/02
REDRAWN	4583	8	18/10/94
CHANGE	MOD No	ISSUE	DATE

MATERIAL	PROTECTIVE FINISH	UNLESS OTHERWISE STATED	ANGULAR DIMS ± 0.5°	LINEAR DIMS 0 = ± 0.5 0.0 = ± 0.25 0.00 = ± 0.05	BROWNELL Ltd. LONDON NW10 7XF	RED DOT=ORIGINAL BLACK DOT=COPY	DRAWN	CHECKED
ALUM ALLOY	ANODISED BLACK	SURFACE ROUGHNESS	3.2 µm (N8)	TITLE			SKS	
EST. WT.	---	DIMENSIONS IN in/mm	mm	DESICCANT CONTAINER DEHUMIDIFIER (BREATHING TUBE)			DRAWING NUMBER	SHT 1 OF 4 SHTS
		SCALE (ORIGINAL)	N.T.S				BL/D2233/01-09 INST	