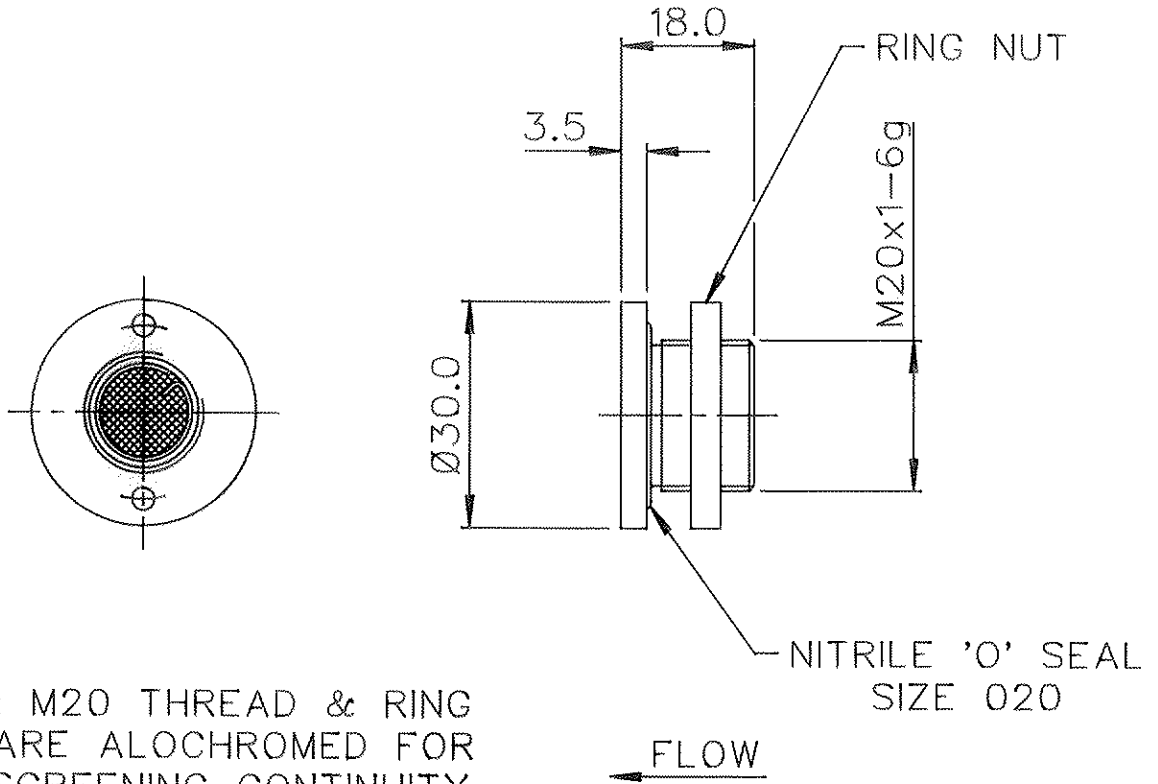


THIS DESIGN IS THE PROPERTY OF BROWNELL LTD
AND MAY NOT BE COPIED OR REPRODUCED WITHOUT
THEIR PRIOR WRITTEN PERMISSION

DRG No
BL/D 2778/01-06 INST
USED ON

THIRD ANGLE
PROJECTION

REMOVE ALL BURRS
& SHARP EDGES



NOTE: M20 THREAD & RING NUT ARE ALOCHROMED FOR R.F. SCREENING CONTINUITY.

DRG No	OPENING PRESSURE	NATO STOCK No
BL/D2778/01	1.25-1.75 PSI	4820-99-720-2217
BL/D2778/02	1.0-1.5 PSI	
BL/D2778/03	2.5-3.0 PSI	4820-99-553-2660
BL/D2778/04	0.25 PSI	
BL/D2778/05	0.5-0.75 PSI	
BL/D2778/06	4.0-5.0 PSI	

MATERIAL ALUM ALLOY	PROTECTIVE FINISH ANODISED BLACK SEE NOTE	BUILD STANDARD CHANGED	5829	6	11/7/01
		NSN ADDED - /03	5282	5	15/7/98
		'O' SEAL DETAILS ADDED	3629	4	22/2/89
		NSN ADDED - /01	2997	3	29/11/85
		TABLE ADDED		2	30/5/78
EST. WT. —		CHANGE	MOD No	ISSUE	DATE
DIMNS IN mm	SURFACE ROUGHNESS	TOLERANCES ±0.3			
SCALE 1 : 1	—				

BROWNELL LIMITED LONDON NW10			DRAWN LJ	CHKD K
SUB CONT.		SUB CONT. DRG REF.		
TITLE R.F. SCREENED SINGLE WAY RELIEF VALVE (OUTWARD)		DRAWING No BL/D 2778/01-06 INST		