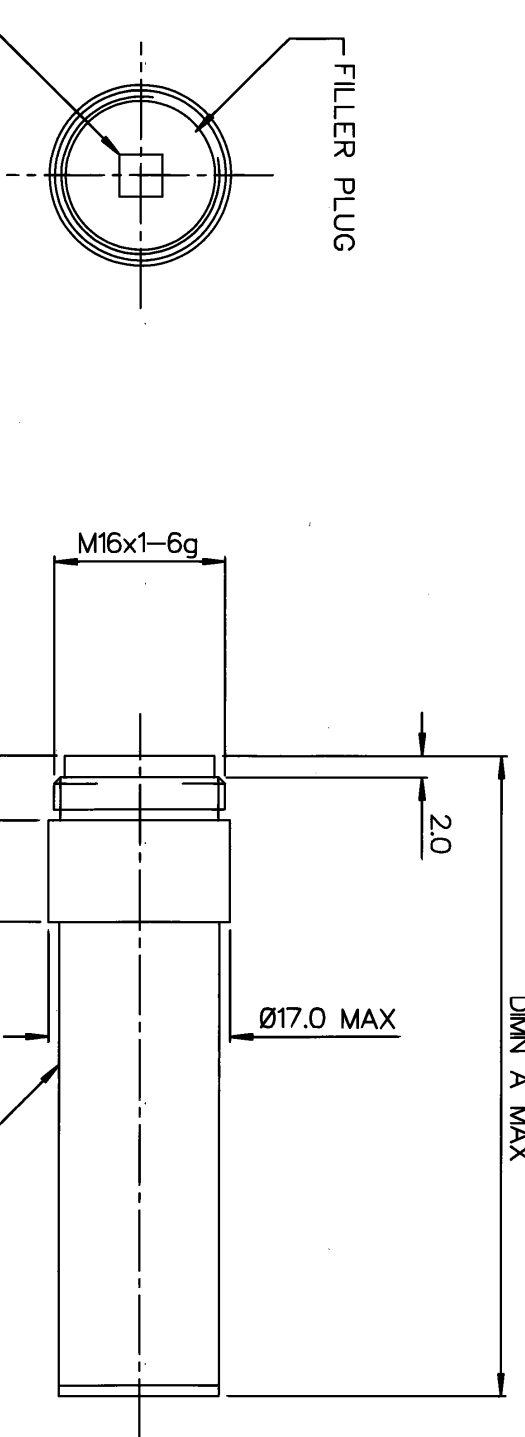
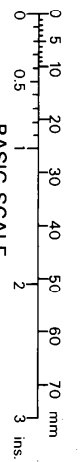


DRG. No.  
BL/D3159/1-4 INST

REMOVE ALL SHARP EDGES UNLESS SPECIFIED.

THIRD ANGLE PROJECTION

DO NOT SCALE - ASK.



HUMIDITY INDICATOR CHANGES  
COLOUR FROM BLUE TO PINK  
WHEN THE EQUILIBRIUM RH  
EXCEEDS 10% AT 25 °C

DRG No	STYLE	NATO STOCK No	DIMN A MAX	DIMN B	NOMINAL CONTENT	REFILL PART No	NATO STOCK No FOR REFILL
BL/D3159/1	DDF1MMS	4440-99-225-3250	35.0	9.5	2 GRMS	BL/D2807/5	4440-99-225-3254
BL/D3159/2	DDF2MMS	4440-99-225-3251	60.0	9.5	4 GRMS	BL/D2807/13	4440-99-225-3255
BL/D3159/3	DDF3MMS	4440-99-225-3252	85.0	24.0	6 GRMS	BL/D2807/14	4440-99-225-3256
BL/D3159/4	DDF4MMS	4440-99-225-3253	110.0	49.0	8 GRMS	BL/D2807/15	4440-99-225-3257

NOTES

1. FILLED WITH MOLECULAR SIEVES DESICCANT - BS7444 GRADE 4A.
2. CONFORMS TO DEF. STAN. 44-2 PART 2.
3. PACKAGED FOR A SHELF LIFE OF 5 YEARS WHEN STORED IN TEMPERATE CONDITIONS.

MATERIAL ALUM ALLOY PROTECTIVE TREATMENT ANODISED TOLERANCES UNLESS STATED ±0.5 TITLE BROWNELL LTD. LONDON, N.W.10. DESICCANT CONTAINER DEHUMIDIFIER (TUBULAR)

DRAWING No. BL/D3159/1-4 INST

CHANGE	MOD. No.	ISSUE	DATE
REDRAWN	4011	5	6/9/91
CUSTOMERS REF.			
DRAWN	LJ	CHECKED	

EST. WT. SCALE (ORIGINAL) 2 : 1