

THIS DRAWING IS THE PROPERTY OF BROWNELL LTD. AND MAY NOT BE COPIED OR REPRODUCED WITHOUT THEIR PRIOR WRITTEN PERMISSION

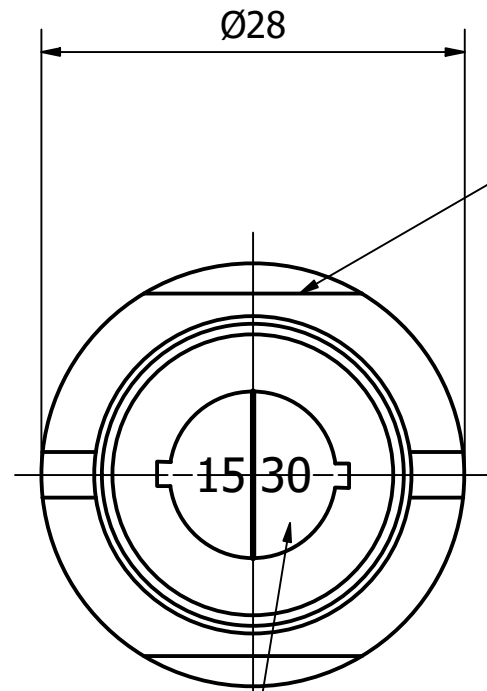
DRG No  
BL/D3723 INST

USED ON -

REMOVE ALL SHARP EDGES UNLESS SPECIFIED

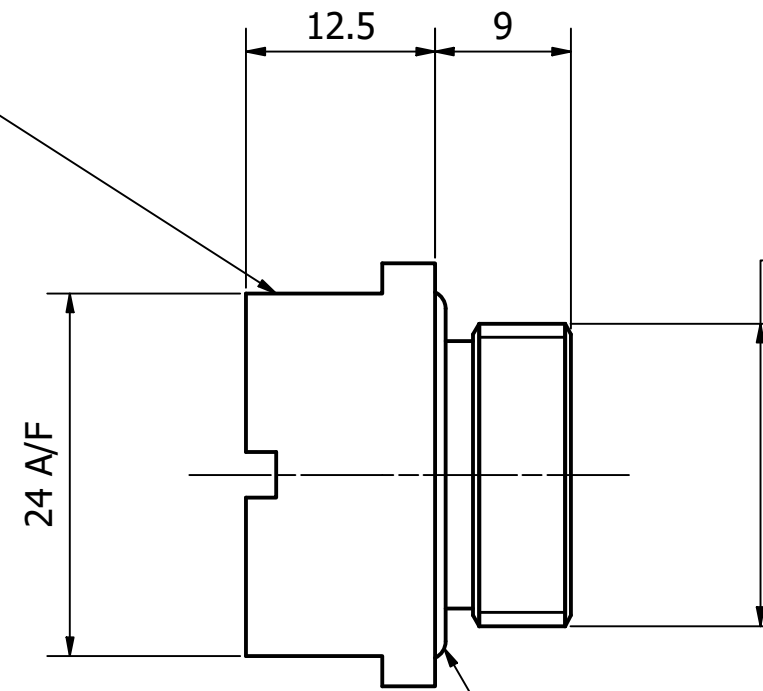
THIRD ANGLE PROJECTION

DO NOT SCALE - ASK



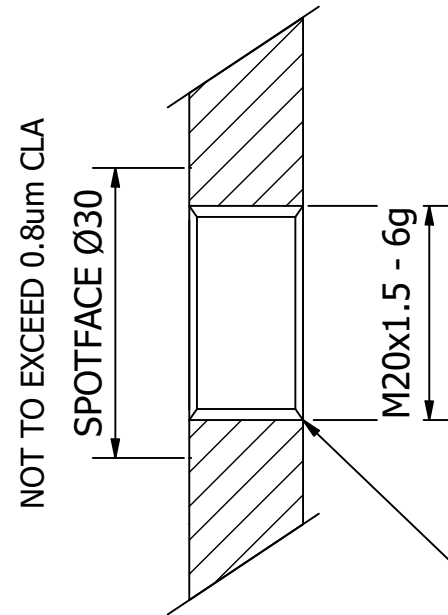
SPANNER FLATS

HUMIDITY INDICATOR DISC CHANGES COLOUR AT APPROX 15% & 30% RH AT 25°C (SPLIT LEVEL)



M20 x 1.5 - 6g  
NATURAL FINISH  
FOR R.F. SCREENING  
CONTINUITY

EPDM 'O' SEAL



NOT TO EXCEED 0.8µm CLA

SPOTFACE Ø30

M20x1.5 - 6g

THREAD RELIEF NOT TO EXTEND BEYOND MAJOR DIAMETER OF THREAD MUST BE UNPLATED FINISH

NOTES:

INTERNAL THREAD M16x1 - 6H TO FIT VARIOUS MOLECULAR SIEVES FILLED DESICCANT CONTAINERS DEHUMIDIFIER

THE ITEM IS PACKAGED FOR A 5 YEAR TEMPERATE OR 3 YEAR TROPICAL SHELF LIFE IN MFL EITHER INDIVIDUALLY OR ENVELOPES HOLDING 3

CHANGE	MOD No	ISSUE	DATE
THREAD FINISH CHANGED	7180	5	10/02/20
REDRAWN	5882	4	11/01/02
LETTER 'M' DELETED	5381	3	18/01/99
IND LEVELS ADDED	3271	2	04/08/87
ORIGINAL		1	04/10/82

PANEL MOUNTING DETAIL

MATERIAL <b>ALUMINIUM ALLOY</b>	PROTECTIVE FINISH <b>BLACK ANODISED &amp; NATURAL THREAD</b>	UNLESS OTHERWISE STATED	ANGULAR DIMS ± 0.5°	LINEAR DIMS 0 = ± 0.5 0.0 = ± 0.25 0.00 = ± 0.05	<b>BROWNELL Ltd. LONDON NW10 7XF</b>  TITLE INDICATOR HUMIDITY PLUG R.F. SCREENED STYLE RIHP4M - DEF STAN 66-14 6685-99-225-3312	RED DOT=ORIGINAL BLACK DOT=COPY	DRAWN <b>SKS</b>	CHECKED <b>RB</b>
EST. WT. -----		SURFACE ROUGHNESS 3.2 µm (N8)				DRAWING NUMBER	<b>BL/D3723 INST</b>	
		DIMENSIONS IN in/mm		mm				
		SCALE (ORIGINAL)		2:1				