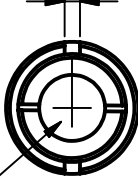


DRG No
BL/D4085/01-05 INST

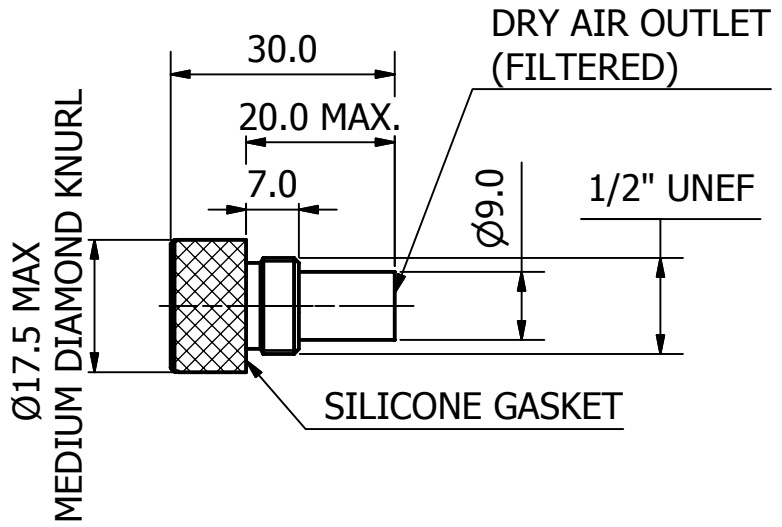
USED ON

THIRD ANGLE PROJECTION

KEY SLOT 2.0
2.0 WIDE x 1.0 DEEP




HUMIDITY INDICATOR
-SEE TABLE



DRG. No.	NATO STOCK No.	INDICATOR LEVEL	DESICCANT TYPE
BL/D4085/01		15% RH AT 25°C	MOLECULAR SIEVES
BL/D4085/02		30% RH AT 25°C	MOLECULAR SIEVES
BL/D4085/03	4440-99-004-1356	30 & 50% RH AT 25°C	BEADED SILICA GEL
BL/D4085/04		15 & 30% RH AT 25°C	MOLECULAR SIEVES
BL/D4085/05		10% RH @ 25°C	MOLECULAR SIEVES

NOTE :- PACKAGED FOR A 5 YEAR SHELF LIFE

MATERIAL ALUMINIUM ALLOY	PROTECTIVE FINISH ANODISED				
		/05 ADDED	6357	9	02-02-10
		REDRAWN	6210	H	05-10-06
EST. WT. ----	SURFACE ROUGHNESS	CHANGE	MOD No	ISSUE	DATE
DIMS IN MM	-----	TOLERANCES 0 = ±0.5 0.0 = ±0.25 0.00 = ±0.05			
SCALE 1:1	-----				
 RED DOT = ORIGINAL BLACK DOT = COPY	BROWNELL LTD LONDON NW10 7XF		DRAWN PK	CHECKED	
TITLE DESICCANT CONTAINER DEHUMIDIFIER - STATIC PANEL MOUNTING			DRAWING No. BL/D4085/01-05 INST		

THIS DESIGN IS THE PROPERTY OF BROWNELL LTD, AND MAY NOT BE COPIED OR REPRODUCED WITHOUT THEIR PRIOR WRITTEN PERMISSION