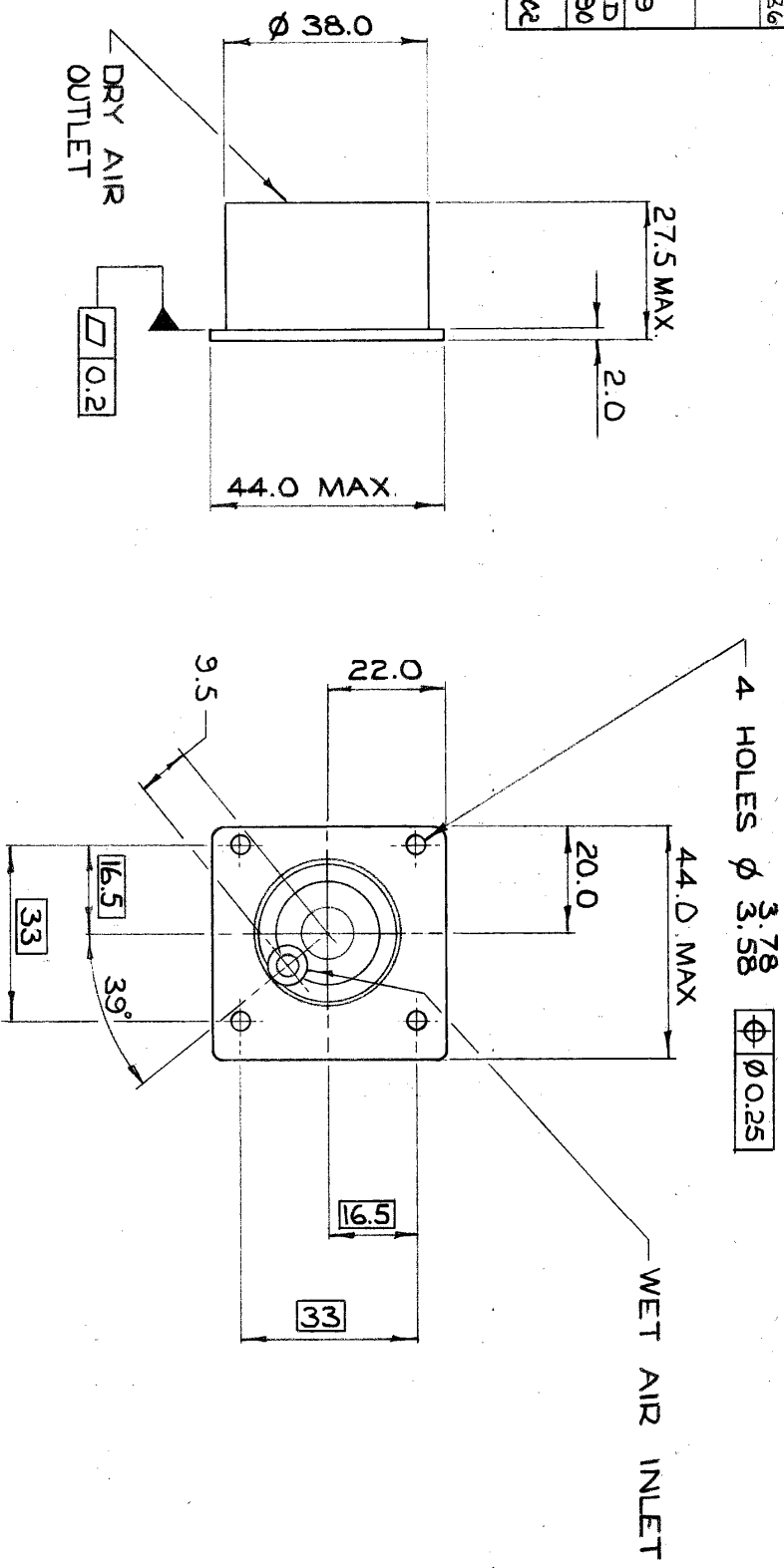
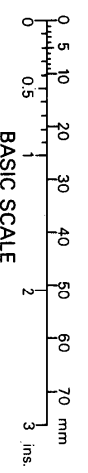


DRG. No.		BL/D 4210 INST.
USED ON	ALTERATION	
ISSUE	ALTERATION	
A	26.2.85	
B	4.0 WAS 2.0	26.2.86
	MOD No. 3032	26.2.86
C	MDD No. 3080	
	16.6.86	
D	FLATNESS TOL. ADDED	
	MOD No. 3763	20.10.89
E	REFILL PT. No. CHANGED	
	MOD No. 3844	16.5.90
F	NSN ADDED	
	MOD No. 5975	31.7.02

REMOVE ALL SHARP EDGES UNLESS SPECIFIED.

THIRD ANGLE PROJECTION

DO NOT SCALE - ASK



NOTES

1. FILLED WITH MOLECULAR SIEVES DESICCANT
2. PACKAGED FOR A SHELF-LIFE OF 5 YEARS
3. THE FOLLOWING ITEMS ARE SUPPLIED WITH THE DESICCATOR :-
  - 1/ HUMIDITY INDICATOR DISC - PT.No. BL/D 4454
  - 1/ BACKING DISC - PT.No. BL/D 4455
  - 1/ R.F. SCREEN - PT.No. BL/D 4456
  - 4. REFILL PT. N. BL/D 4567

MATERIAL	PROTECTIVE TREATMENT	TOLERANCES UNLESS STATED	BROWNELL LTD. LONDON, NW.10.	CUSTOMERS REF.	DRAWN	CHECKED
ALUM. ALLOY	ALOCROM 1200	± 0.25	TITLE	DRAWING No.	SA	TK.
EST. WT.	DSTAN 03-18/1	DIMNS. IN <del>mm</del> /m.m.	DESICCANT CONTAINER DEHUMIDIFIER (AFT - BODY)	BL/D 4210 INST.		
		SCALE (ORIGINAL) 1 - 1				