

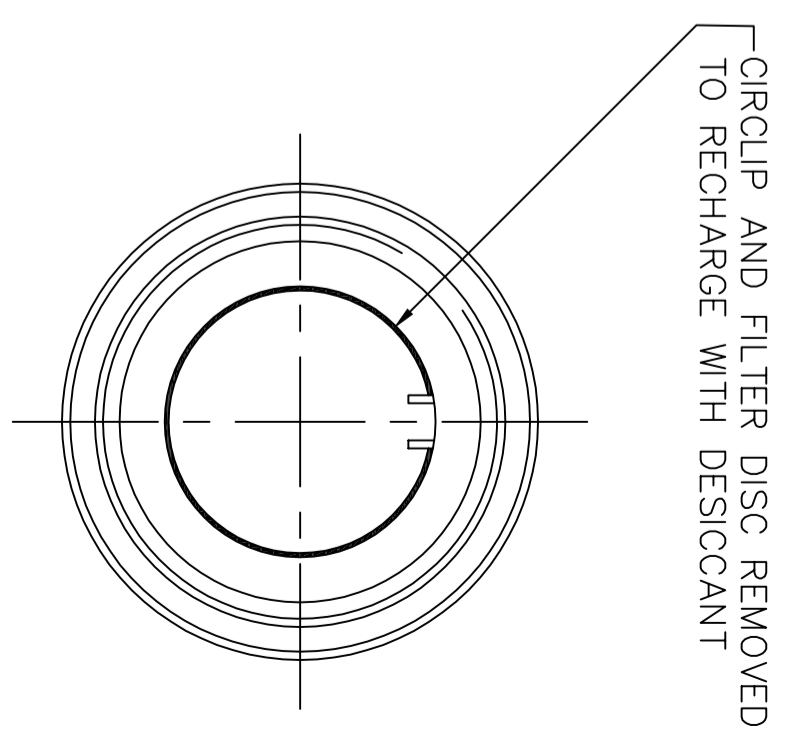
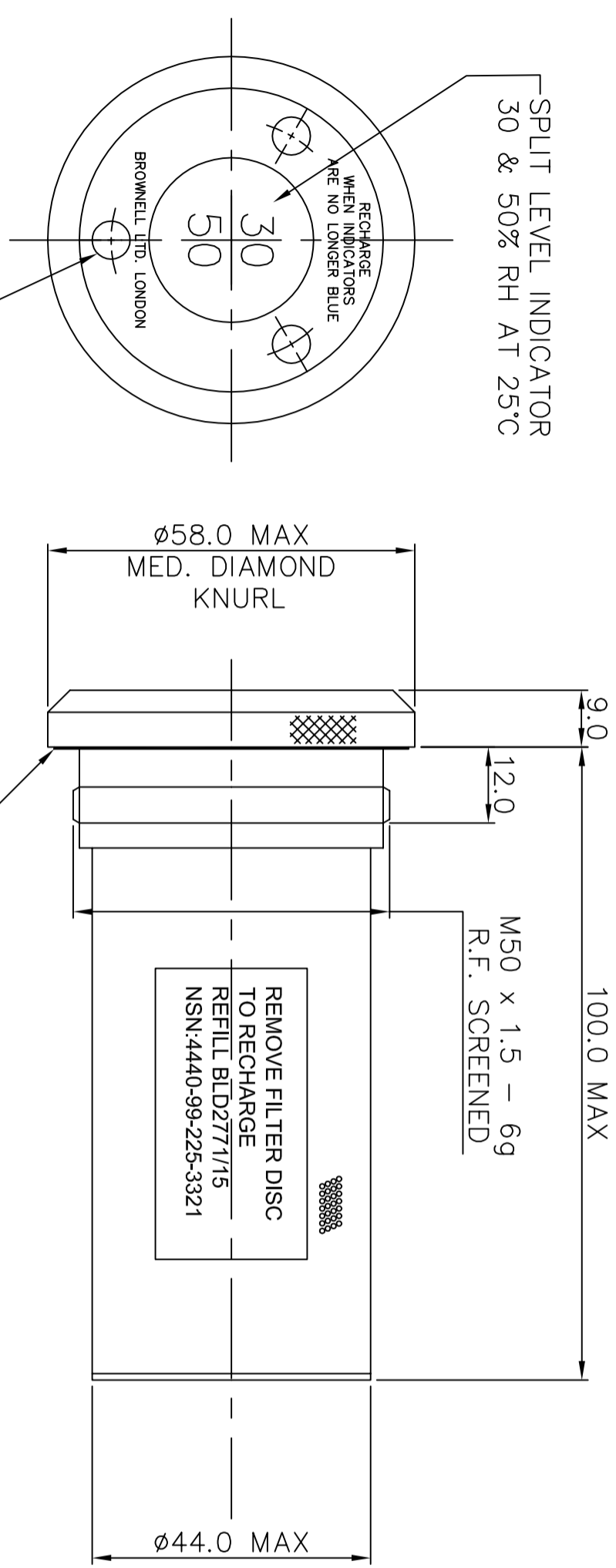
THIS DRAWING IS THE PROPERTY OF BROWNELL LTD, AND MAY NOT BE COPIED OR REPRODUCED WITHOUT THEIR PRIOR WRITTEN PERMISSION

DRG No
BL/D4624 INST
USED ON -----

REMOVE ALL SHARP EDGES UNLESS SPECIFIED

THIRD ANGLE PROJECTION

DO NOT SCALE - ASK



NOTE

INDIVIDUALLY PACKAGED FOR A SHELF LIFE OF 5 YEARS
DESICCATOR HEAD FINISHED WITH P.T.F.E./NICKEL
EXPOSED SURFACES PAINTED BLACK
REFILL PART No. BL/D2771/15 NSN. 4440-99-225-3321
DESICCANT CONTENT 100G BEADED SILICA GEL TO SPEC. TS10208

MATERIAL	PROTECTIVE FINISH	TOLERANCES UNLESS OTHERWISE STATED	ANGULAR DIMS. ±0.5°	LINEAR DIMS. ±1.0
ALUM. ALLOY	ANODISED EXCEPT WHERE STATED	SURFACE TEXTURE	3.2 µm(N8)	
EST. WT. -----		DIMENSIONS IN in/mm	mm	
		SCALE (ORIGINAL)	DNS	

BROWNELL Ltd. LONDON NW10 7XF

TITLE
DESICCANT CONTAINER
DEHUMIDIFIER (PANEL MOUNTING)

REDRAWN ORIGINAL	6539	2	06.03.13
ORIGINAL		1	13.02.87
CHANGE	MOD No	ISSUE	DATE

DRAWING NUMBER
BL/D4624 INST

RED DOT=ORIGINAL
BLACK DOT=COPY

DRAWN DN

CHECKED