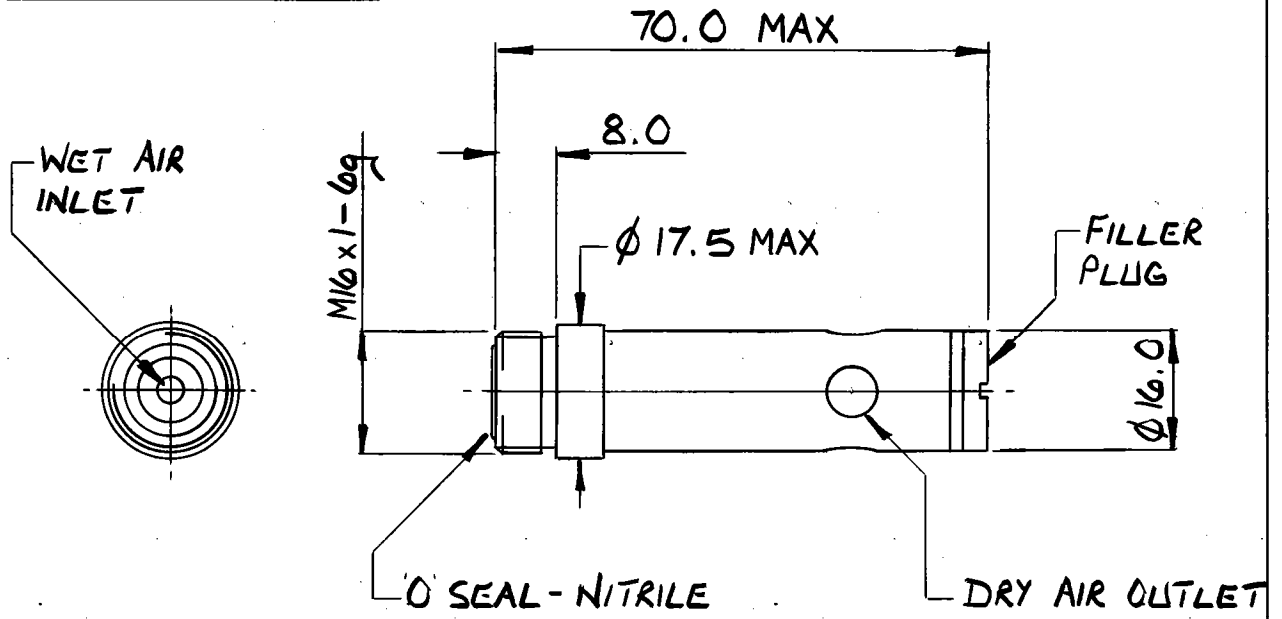


DRG. No.  
BL/D 5244 INST

USED ON

THIRD ANGLE  
PROJECTION



NOTES

1. CONTAINS APPROX. 6 gms MOLECULAR SIEVES DESICCANT GRADE 4A, 1-3mm BEAD. SPEC. TS10273.
2. EXTERNAL THREAD M16 x 1 TO SUIT IMMERSIBLE BREATHER HEAD BL/D 5243.
3. CONFORMS TO DEF. STAN. 44-2 WHERE APPLICABLE.
4. REFILL PT. No. BL/D 2807/14.

THIS DESIGN IS THE PROPERTY OF BROWNELL LTD. AND MAY NOT BE COPIED OR REPRODUCED WITHOUT THEIR PRIOR WRITTEN PERMISSION.

MATERIAL ALUM. ALLOY	PROTECTIVE FINISH ANODISED				
EST. WT. —				A	4.5.89
DIMNS IN mm	SURFACE ROUGH	TOLERANCES	CHANGE	MOD. No.	ISSUE DATE
SCALE —		±0.5			
BROWNELL LIMITED LONDON N.W.10				DRAWN KS	CHKD. JA
SUB CONT. —		SUB CONT. DRG. REF. —			
TITLE DESICCANT CONTAINER DEHUMIDIFIER (BREATHER TUBE)		DRAWING No. BL/D 5244 INST			