

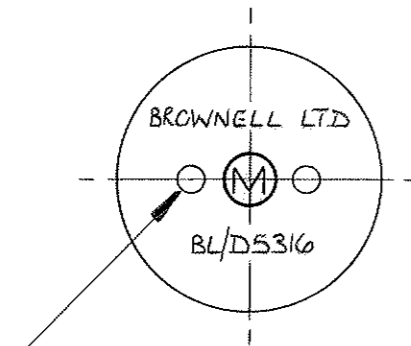
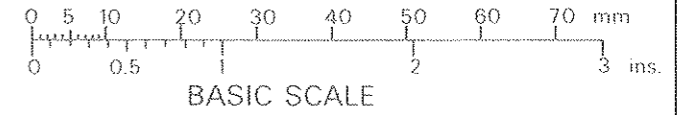
THIS DESIGN IS THE PROPERTY OF BROWNELL LTD. AND MAY NOT BE COPIED OR REPRODUCED WITHOUT THEIR PRIOR WRITTEN PERMISSION.

DRG. No.  
BL/D 5316 INST  
USED ON

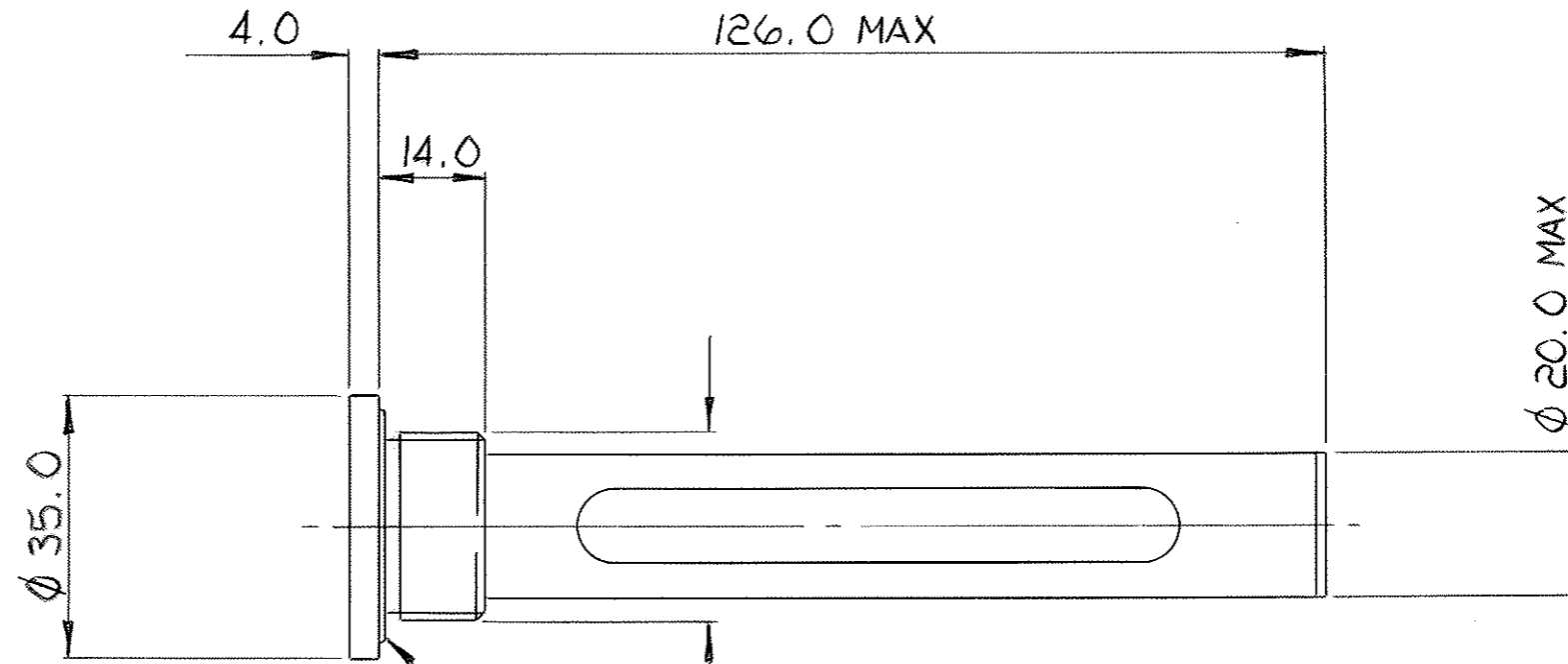
THIRD ANGLE PROJECTION

REMOVE ALL SHARP EDGES UNLESS SPECIFIED.

DO NOT SCALE - ASK.



PIN SPANNER HOLES  
Ø 3.5 x 3.5 DEEP ON 15.0 ± 0.15 PCD



M25 x 1.5 - 6g (NATURAL FINISH)

RECESSED O' SEAL - NITRILE 40-50 SHORE

NOTES

1. CONTAINS APPROX. 10g OF ACTIVATED CARBON.
2. NATURAL FINISH ON MOUNTING THREAD FOR R.F. SCREENING CONTINUITY.
3. PACKAGED FOR A SHELF LIFE OF 5 YEARS.

NSN ADDED	4104	B	1.5.92
		A	10.9.90
CHANGE	MOD. No.	ISSUE	DATE

MATERIAL ALUM. ALLOY	PROTECTIVE TREATMENT ANODISED (THRD NATURAL)	TOLERANCES UNLESS STATED ± 1.0	BROWNELL LTD. LONDON, N.W.10.	CUSTOMERS REF.	DRAWN TR	CHECKED LS
EST. WT. —		DIMNS. IN mm/m.m. SCALE (ORIGINAL) 1-1	TITLE 4440-99-145-6828 HYDROCARBON ADSORPTION UNIT PANEL MOUNTING - R.F. SCREENED	DRAWING No. BL/D 5316 INST		