

THIS DESIGN IS THE PROPERTY OF BROWNELL LTD. AND MAY NOT BE COPIED OR REPRODUCED WITHOUT THEIR PRIOR WRITTEN PERMISSION.

DRG. No.

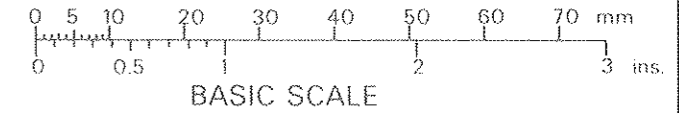
BL/D 6190 INST

USED ON

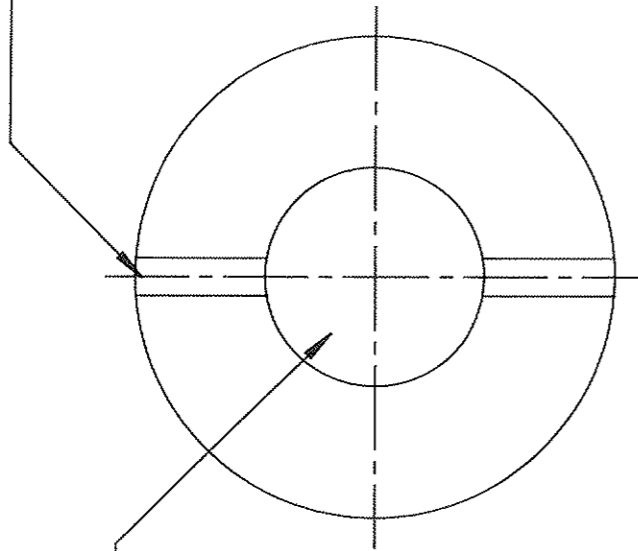
THIRD ANGLE PROJECTION

REMOVE ALL SHARP EDGES UNLESS SPECIFIED.

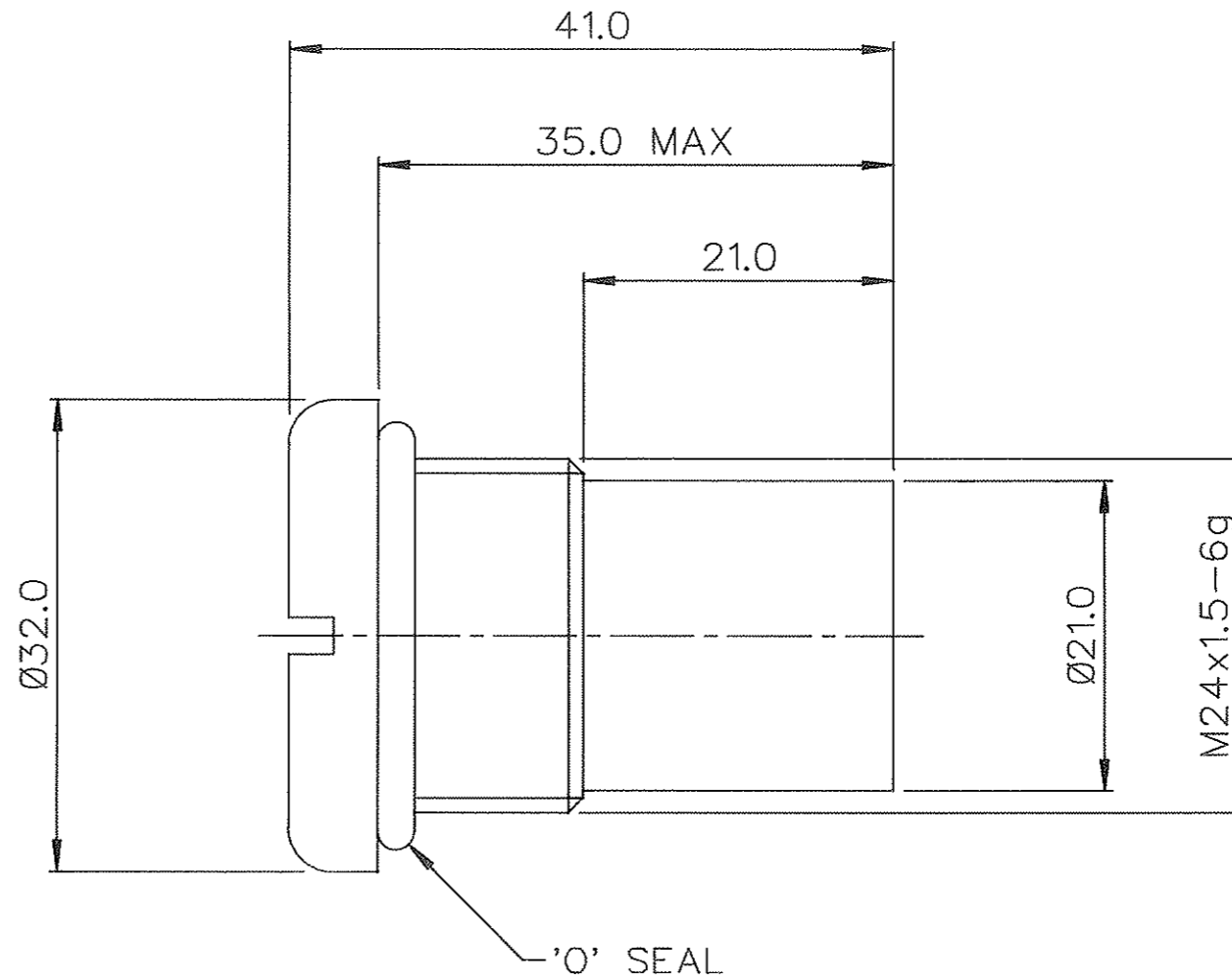
DO NOT SCALE - ASK.



SLOT 2.5 WIDE x 3.0 DEEP



HUMIDITY INDICATOR
40% RH AT 25 °C



'O' SEAL

NOTES

1. CONTAINS APPROX. 5 GRMS MOLECULAR SIEVES DESICCANT, GRADE 4A, SPEC. BS7444.
2. MATERIAL: BODY - POLYACETAL BLACK. SIGHT WINDOW - CLEAR POLYCARBONATE.
3. PACKAGED FOR A SHELF LIFE OF 5 YEARS WHEN STORED IN TEMPERATE CONDITIONS.

		A	21/12/92
CHANGE	MOD. No.	ISSUE	DATE

MATERIAL	PROTECTIVE TREATMENT	TOLERANCES UNLESS STATED	±0.3	BROWNELL LTD. LONDON, N.W.10.	CUSTOMERS REF.	DRAWN	CHECKED
SEE NOTE 2	—	DIMNS. IN mm/m.m.		TITLE		LJ	IK
EST. WT.	—	SCALE (ORIGINAL)	2 : 1	4440-12-158-5265 DESICCANT CONTAINER DEHUMIDIFIER (PANEL MOUNTING)	DRAWING No.	BL/D 6190 INST	