

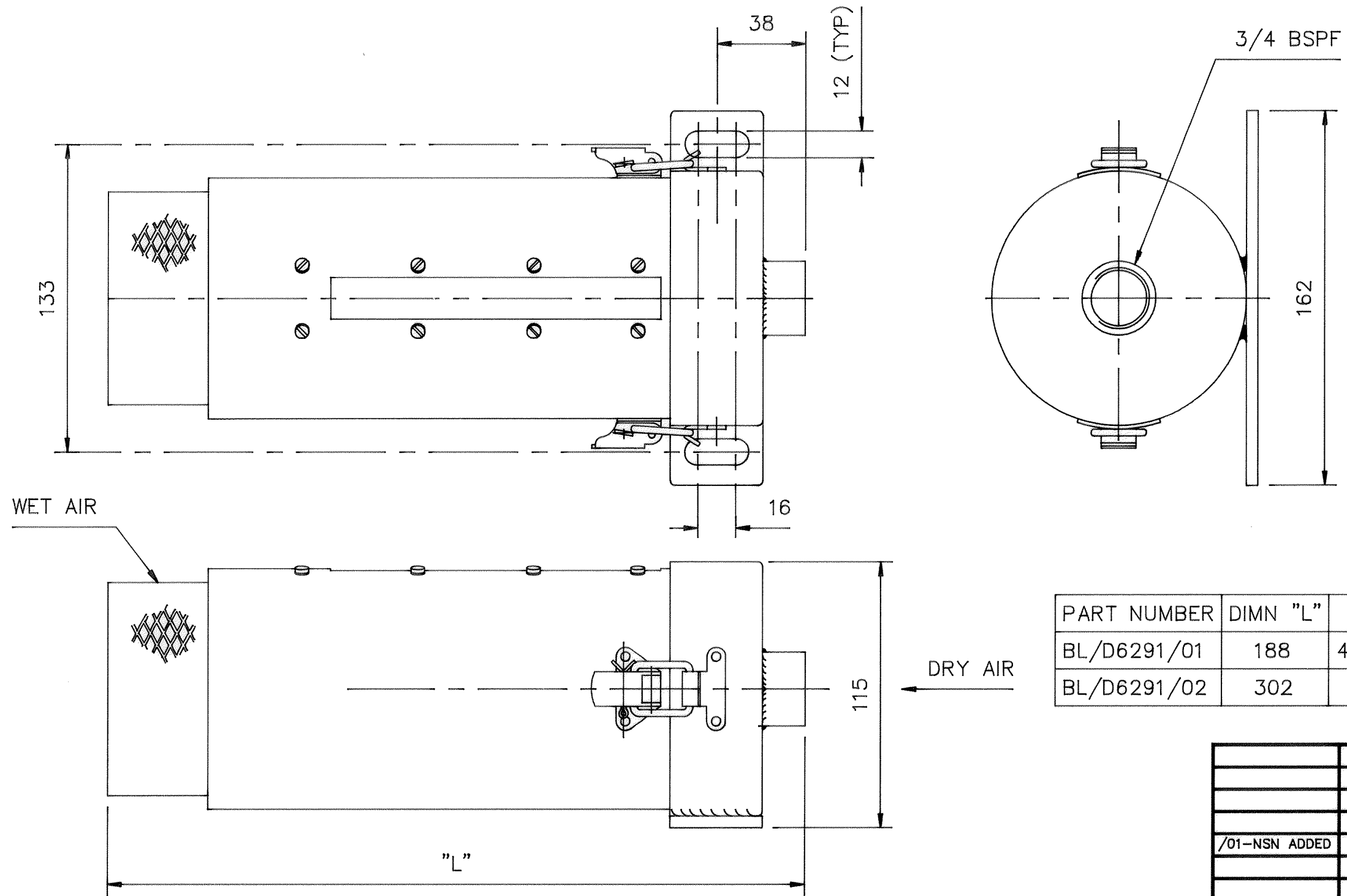
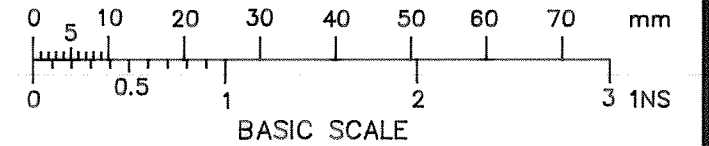
DRG No  
BL/D6291/01 & 02 INST

USED ON

THIRD ANGLE PROJECTION

REMOVE ALL SHARP EDGES UNLESS SPECIFIED

DO NOT SCALE - ASK



PART NUMBER	DIMN "L"	NATO STOCK No
BL/D6291/01	188	4440-99-510-0571
BL/D6291/02	302	

CHANGE	MOD No	ISSUE	DATE
/01-NSN ADDED	5665	3	31/5/00
	4924	2	17/6/96
		1	18/1/94

MATERIAL MILD STEEL	PROTECTIVE FINISH PHOSPHATE DEF STAN 03-11 CLASS 2 POLYESTER POWDER COAT GREY	TOLERANCES ±1	CUSTOMER BROWNELL Ltd. LONDON NW10		CUSTOMER'S REF	DRAWN PD	CHECKED [Signature]
		DIMENSIONS IN in/mm mm	TITLE TRANSFORMER BREATHER MODEL 701 & 702		DRAWING NUMBER BL/D6291/01 & 02 INST		
EST. WT.		SURFACE ROUGHNESS	SCALE (ORIGINAL) 1:2				