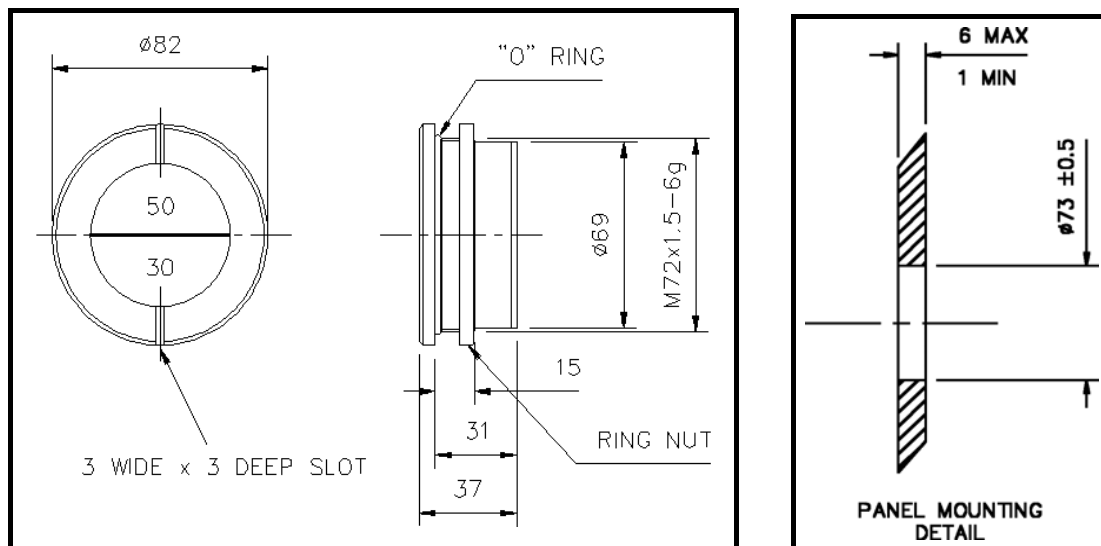


## PANEL MOUNTING INDICATING DESICCATOR MOLECULAR SIEVES



### DESCRIPTION

A range of Panel Mounting Desiccators for protection against corrosion, dampness and contamination in optical, electro-optical and high voltage equipment.

### APPLICATIONS

Ideally suited to prevent damage or malfunction in equipment subject to humidity and temperature variations. A powerful adsorbing agent reduces and adsorbs ingressed or inbuilt moisture to acceptable levels. A humidity indicator monitors desiccant condition. Molecular sieves adsorbing agent maintains an ultra low relative humidity for extremely moisture sensitive applications.

### PART NUMBER

BL/D6342/02

### MATERIAL

Plastic (Polycarbonate)

### COLOUR

Black

### OPERATING TEMPERATURE

Maximum 110°C  
Minimum -50°C

### ENVIRONMENTAL PROTECTION

Resistant to Alcohols, Ethers,  
Hydrocarbons, weak acids and bases.

### DESICCANT CONTENT

50 grammes Nominal

**APPLICATION VOLUME (Typical)**

Example 1                      Enclosure specification IP67  
A typical working volume of 50 litres equates to  
a desiccant life of 5 to 8 months.

Example 2                      Enclosure specification IP55  
A typical working volume of 50 litres equates to  
a desiccant life of 2 to 5 months.

**REACTIVATION**                      Not possible.

**MAXIMUM PRESSURE**                      1 bar gauge

**MAXIMUM VACUUM**                      500 Torr (-5 PSI)

**MAXIMUM LEAK RATE**                      0.01 cc/sec

**HUMIDITY INDICATING LEVEL**                      15% RH @ 20°C.  
30% RH @ 20°C.

**TIGHTENING TOURQUE**                      2Nm

**PACKAGING**                      Metal foil laminate with sachet protection for a  
minimum 2 year shelf life.

Designed and manufactured by: -

BROWNELL LTD  
UNIT 2  
ABBAY ROAD INDUSTRIAL PARK  
COMMERCIAL WAY  
LONDON NW10 7XF  
Tel 020 8965 9281  
Fax 020 8965 3239  
E-mail [info@brownell.co.uk](mailto:info@brownell.co.uk)  
Web site <http://www.brownell.co.uk>

Issue 2 21/10/98

