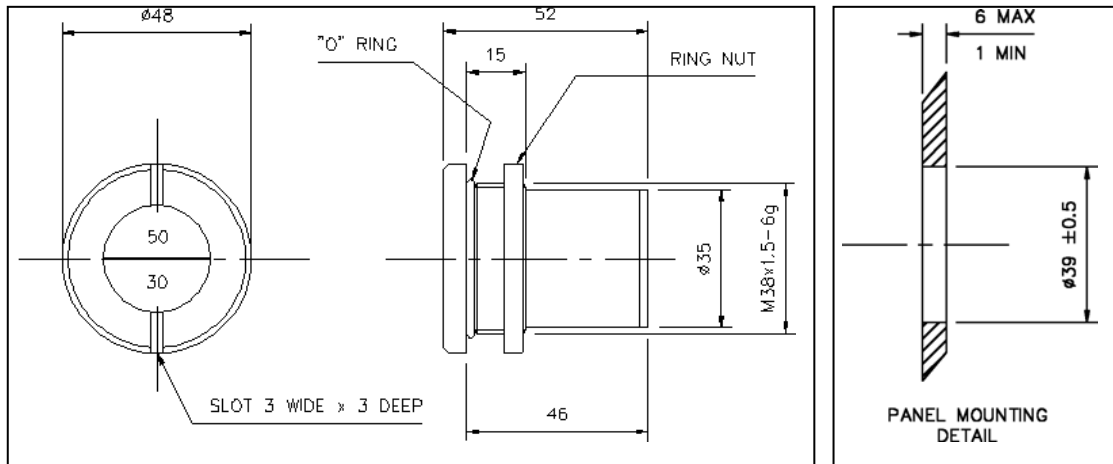
**BROWNELL**

L I M I T E D SPECIFICATION BL/D6342/05

PANEL MOUNTING INDICATING DESICCATOR SILICA GEL



DESCRIPTION

A range of Panel Mounting Desiccators for protection against corrosion, dampness and contamination in electronic, telecommunications and computer equipment.

APPLICATIONS

Ideally suited to prevent damage or malfunction in equipments subject to humidity and temperature variations. A powerful adsorbing agent reduces and adsorbs ingressed or inbuilt moisture to acceptable levels. A humidity indicator monitors saturation and indicates when reactivation is required.

PART NUMBER

BL/D6342/05

MATERIAL

Plastic (Polycarbonate).

COLOUR

Black

OPERATING TEMPERATURE

Maximum 70°C
Minimum -40°C
Reactivate at 105°C

ENVIRONMENTAL PROTECTION

Resistant to Alcohols, Ethers, Hydrocarbons,
weak acids and bases.

DESICCANT CONTENT

10 grammes Nominal

APPLICATION VOLUME (Typical)

Example 1	Enclosure specification IP67 A typical working volume of 10 litres equates to a desiccant life of 6 to 9 months.
Example 2	Enclosure specification IP55 typical working volume of 10 litres equates to a desiccant life of 3 to 6 months.

REACTIVATION

4 hours in a ventilated oven at 105°C.
Caution! allow to cool in a sealed container.

MAXIMUM PRESSURE

1 bar gauge

MAXIMUM VACUUM

500 Torr (-5 PSI)

MAXIMUM LEAK RATE

0.01cc/sec

HUMIDITY INDICATING LEVEL

30% RH @ 20°C.
50% RH @ 20°C.

TIGHTENING TOURQUE

2Nm

PACKAGING

Metal foil laminate with sachet protection for a minimum 2 year shelf life.

Designed and manufactured by: -

BROWNELL LTD
UNIT 2
ABBAY ROAD INDUSTRIAL PARK
COMMERCIAL WAY
LONDON NW10 7XF
Tel 020 8965 9281
Fax 020 8965 3239
E-mail info@brownell.co.uk
Web site <http://www.brownell.co.uk>

Issue 2 21/10/98

