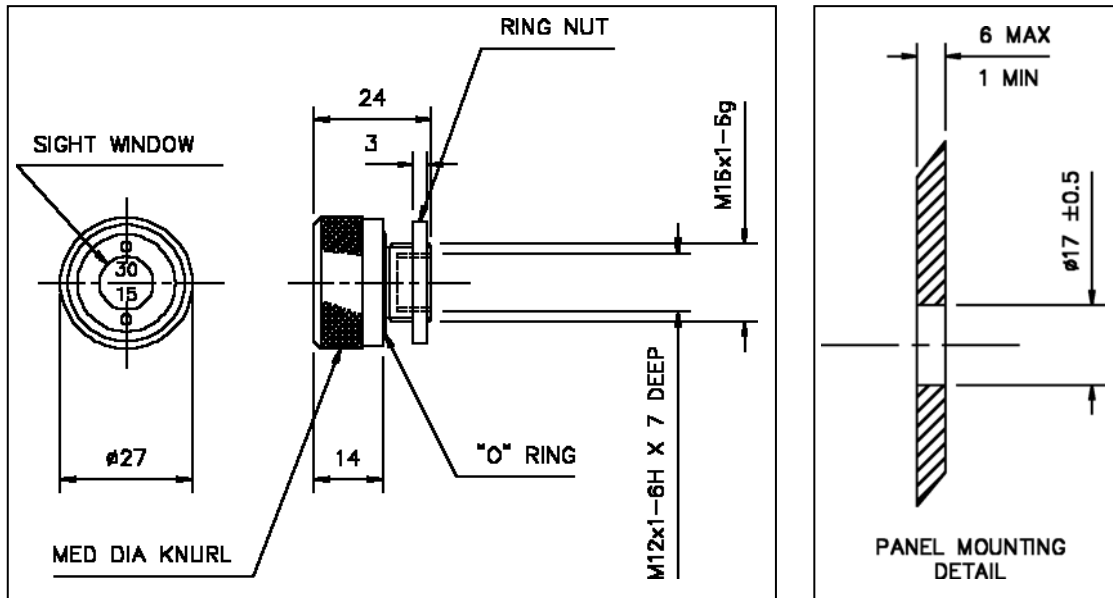


HUMIDITY INDICATOR



DESCRIPTION

A humidity indicator plug to monitor the relative humidity within an equipment or instrument.

APPLICATIONS

Ideally suited for monitoring the relative humidity within equipment which is protected with a molecular sieve desiccant or an extremely dry gas.

PART NUMBER

BL/D6344/01

MATERIAL

Plastic (Polycarbonate).

COLOUR

Black

HUMIDITY INDICATING LEVEL

15% RH @ 20°C.
30% RH @ 20°C.

OPERATING TEMPERATURE

Maximum 70°C
Minimum -40°C

ENVIRONMENTAL PROTECTION

Resistant to Alcohols, Ethers,
Hydrocarbons, weak acids and bases.

MAXIMUM PRESSURE

1 bar gauge

MAXIMUM VACUUM

500 Torr (-5 PSI)

TIGHTENING TOURQUE

2Nm

PACKAGING

Metal foil laminate with sachet protection
for a minimum 2 year shelf life.

Designed and manufactured by: -

BROWNELL LTD
UNIT 2
ABBAY ROAD INDUSTRIAL PARK
COMMERCIAL WAY
LONDON NW10 7XF
Tel 020 8965 9281
Fax 020 8965 3239
E-mail info@brownell.co.uk
Web site <http://www.brownell.co.uk>

Issue 3 21/10/98

