

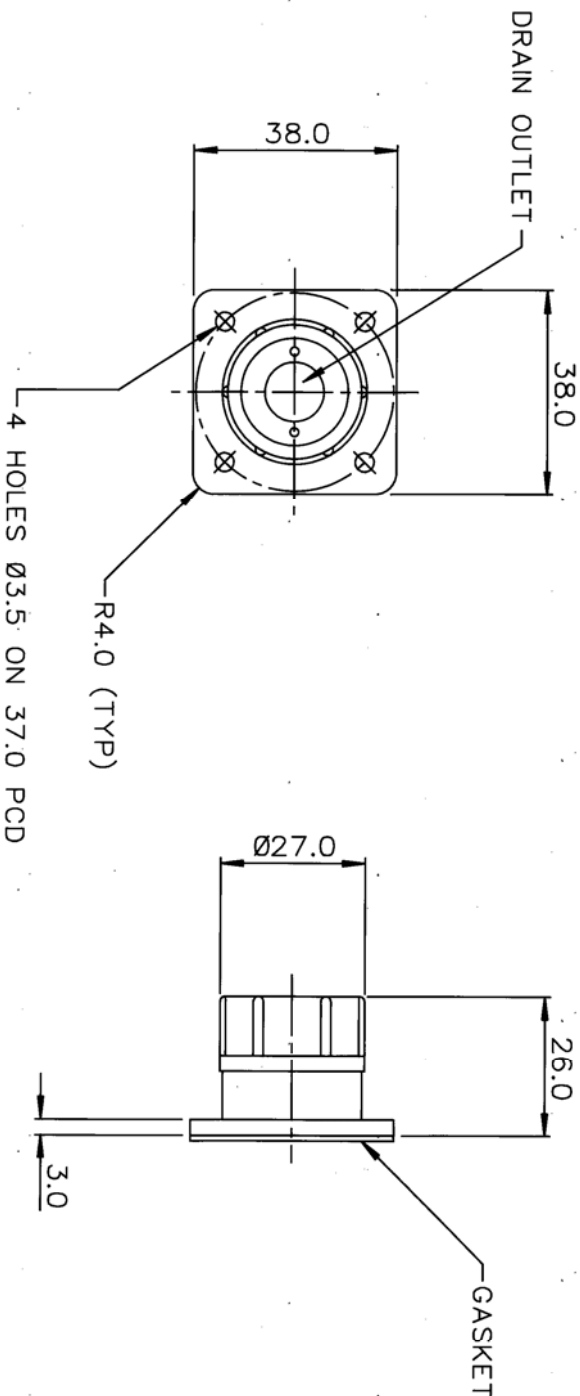
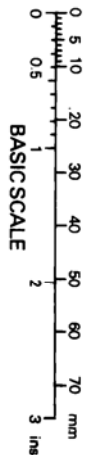
THIS DESIGN IS THE PROPERTY OF BROWNELL LTD.
AND MAY NOT BE COPIED OR REPRODUCED
WITHOUT THEIR PRIOR WRITTEN PERMISSION.

DRG. No. BL/D 6636/01 INST

THIRD ANGLE PROJECTION

REMOVE ALL SHARP EDGES UNLESS SPECIFIED

DONOT SCALE - ASK



MATERIAL	PROTECTIVE TREATMENT	TOLERANCES UNLESS STATED	SCALE (ORIGINAL)
BLACK POLYCARBONATE	NATURAL	±0.5	1 : 1
EST. WT.		DIMENS. IN mm/m.m.	

TITLE	BROWNELL LTD. LONDON, N.W.10.
	DRAIN PLUG

CUSTOMERS REF	DRAWN	CHECKED
DRAWING No.	LJ	
BL/D 6636/01 INST		

CHANGE	MOD. No.	ISSUE	DATE
ADAPTOR FLANGE ADDED	4640	2	1/2/95
		1	11/12/93