

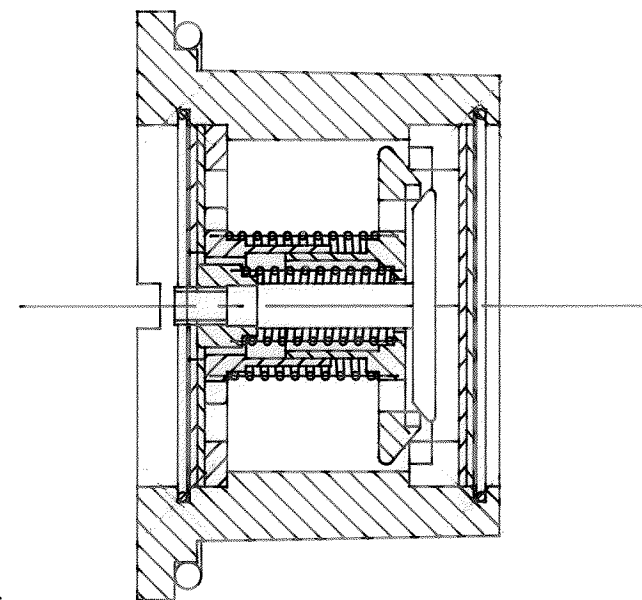
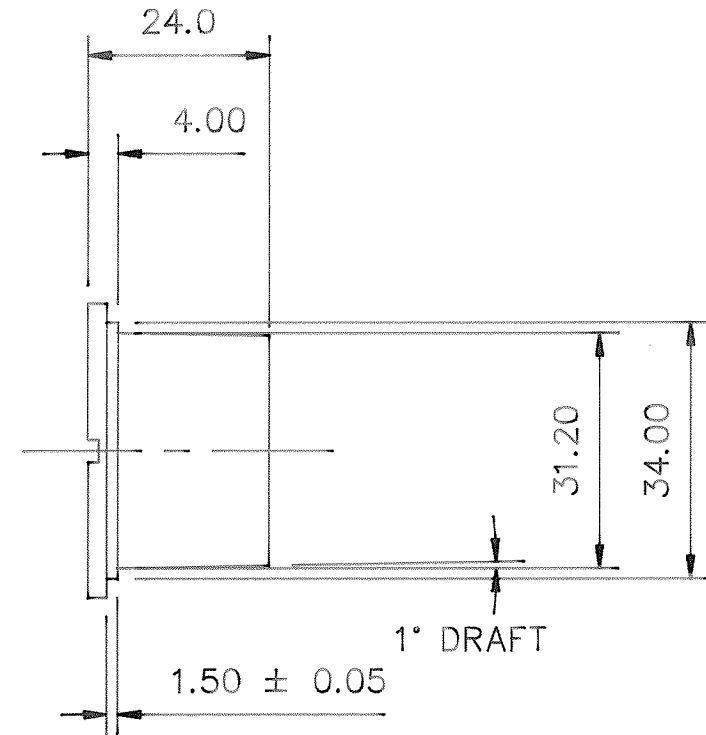
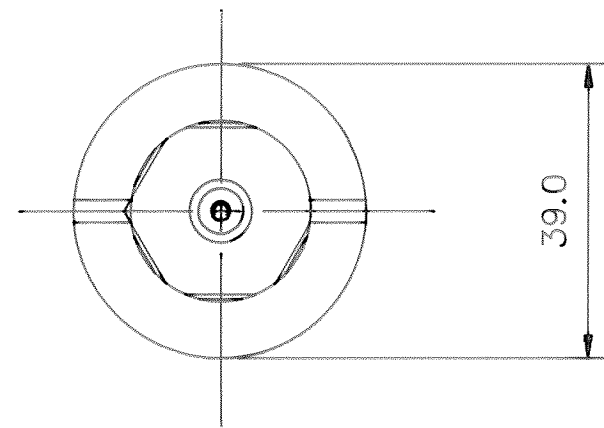
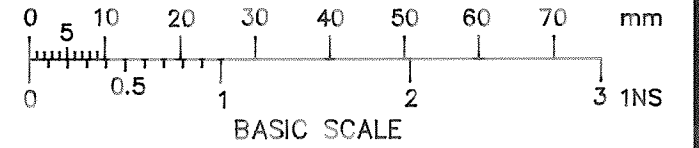
DRG No
BL/D7047 INST SH1 OF 2

USED ON

THIRD ANGLE PROJECTION

REMOVE ALL SHARP EDGES UNLESS SPECIFIED

DO NOT SCALE - ASK



UNIT IS IDENTIFIED BY RED DOT ON PACKAGING LABEL

	4847	7	18/1/96
	4723	6	24/6/95
	4674	5	31/3/95
	4647	4	8/2/95
	4595	3	10/11/94
	4592	2	1/11/94
		1	30/10/94
CHANGE	MOD No	ISSUE	DATE

MATERIAL SEE SH2	PROTECTIVE FINISH NATURAL	TOLERANCES ±0.5	CUSTOMER BROWNELL Ltd. LONDON NW10	CUSTOMER'S REF	DRAWN <i>[Signature]</i>	CHECKED <i>[Signature]</i>
EST. WT.		DIMENSIONS IN in/mm mm	TITLE DOUBLE DIFF'L RELIEF VALVE	DRAWING NUMBER BL/D7047 INST SH1 OF 2		
		SURFACE ROUGHNESS				
		SCALE (ORIGINAL)	1:1			