

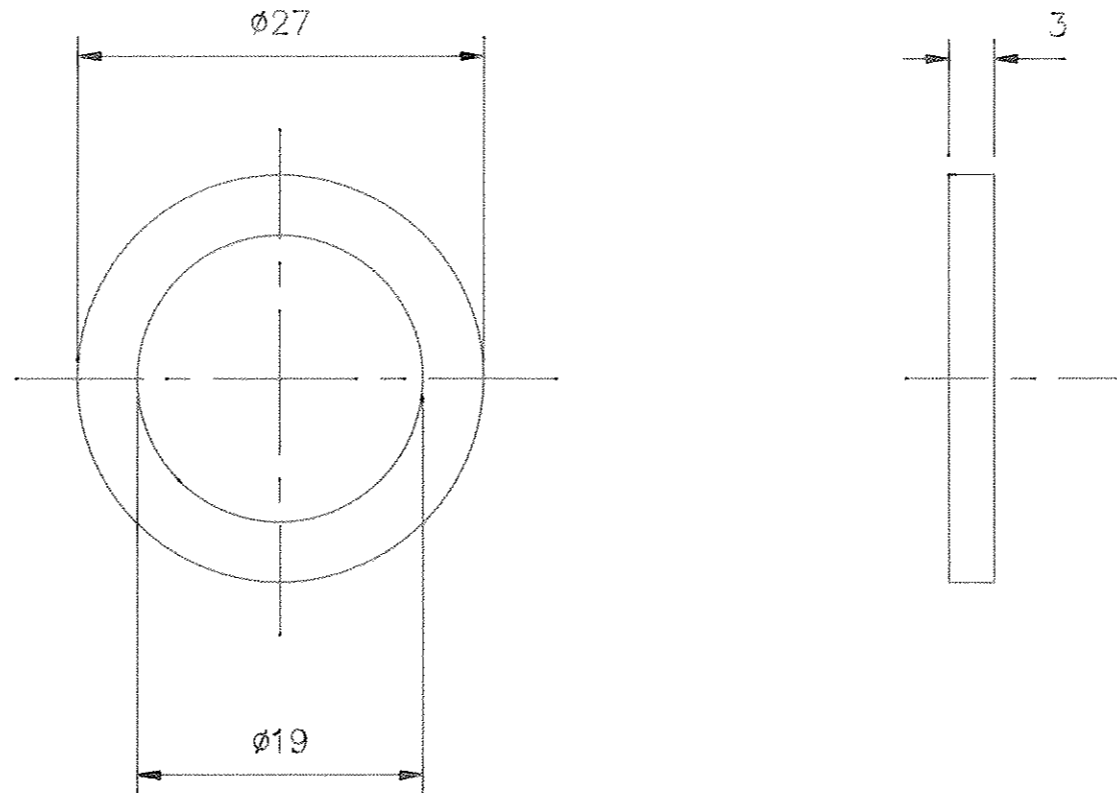
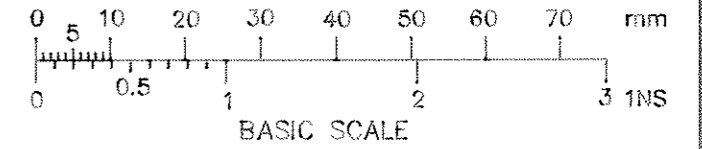
DRG No  
BL/D 7150

USED ON

THIRD ANGLE PROJECTION

REMOVE ALL SHARP EDGES UNLESS SPECIFIED

DO NOT SCALE - ASK



		1	19/3/95
CHANGE	MOD No	ISSUE	DATE

MATERIAL	PROTECTIVE FINISH	TOLERANCES	CUSTOMER	CUSTOMER'S REF	DRAWN	CHECKED
70 SHORE RUBBER	NATURAL	±0.5	BROWNELL Ltd. LONDON NW10		<i>RLO</i>	<i>TR</i>
EST. WT.		DIMENSIONS IN in/mm	TITLE	DRAWING NUMBER		
		mm	GASKET	BL/D7150		
		SURFACE ROUGHNESS				
		SCALE (ORIGINAL)				
		2:1				