

DRG No

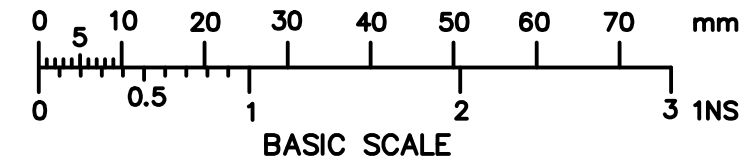
BL/D7410/01-14

THIRD ANGLE PROJECTION

USED ON _____

REMOVE ALL SHARP EDGES UNLESS SPECIFIED

DO NOT SCALE - ASK

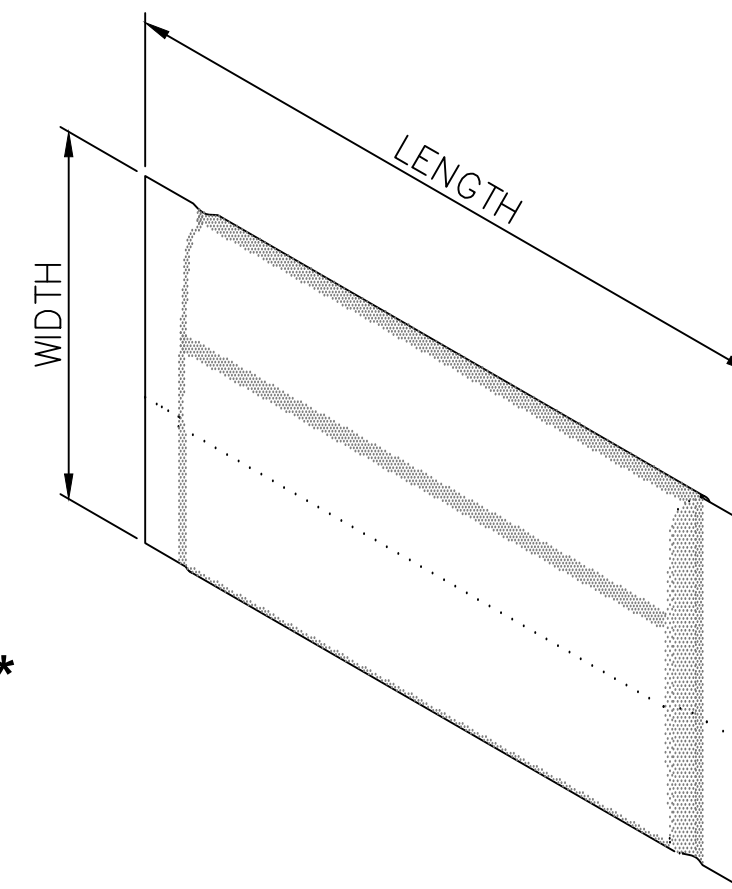


THIS DRAWING IS THE PROPERTY OF BROWNELL LTD. AND MAY NOT BE COPIED OR REPRODUCED WITHOUT THEIR PRIOR WRITTEN PERMISSION

NATO STOCK NUMBER	DRAWING No.	DESICCANT CONTENT GRAMMES	LENGTH MM	WIDTH MM	MATERIAL
6850-99-212-5139	BL/D7410/01	1 ±0.1	50 ±2.5	30 ±1.5	HEATLON
	BL/D7410/02	3 ±0.3	65 ±3.3	30 ±1.5	
	BL/D7410/03	5 ±0.5	65 ±3.3	50 ±2.5	
	BL/D7410/04	10 ±1.0	80 ±4.0	50 ±2.5	
	BL/D7410/05	25 ±2.5	95 ±4.8	100 ±5.0	
6850-99-359-9136	BL/D7410/06	50 ±5.0	150 ±7.5	100 ±5.0	
	BL/D7410/07	100 ±10	160 ±9.0	80 ±5.0	
	BL/D7410/08	250 ±25	180 ±9.0	135 ±6.8	
	BL/D7410/09	500 ±50	263 ±10.5	119 ±6.8	
6850-99-341-5048	BL/D7410/10	1 INDICATING ±0.1	50 ±2.5	30 ±1.5	CLEAR UNIPHANE
6850-99-666-4610	BL/D7410/11	3 INDICATING ±0.3	65 ±3.3	30 ±1.5	
	BL/D7410/12	5 INDICATING ±0.5	65 ±3.3	50 ±2.5	
	BL/D7410/13	100 INDICATING ±10	160 ±9.0	80 ±5.0	HEATLON *
	BL/D7410/14	10 INDICATING ±1.0	80 ±5.0	48 ±2.5	CLEAR UNIPHANE

DESICCANT

BL/D7401/01 TO /09 = BEADED SILICA GEL TO BS7554
 BL/D7410/10 TO /14 = BEADED SELF INDICATING ENVIROGEL



PACKING - PACKAGED IN RESEALABLE CONTAINERS.
 SHELF LIFE - 2 YEARS (TEMPERATE) AS PACKED.
 OPERATING TEMPERATURE -50°C +80°C.
 ABSORPTION CAPACITY - TYPICAL 20-25% @ 50% RH.
 COLOUR CHANGE INDICATION FOR SACHETS /10, /11 & /12 (ORANGE TO GREEN @ 40% RH).
 COLOUR CHANGE INDICATOR CARDS (BL/D5013) ARE AVAILABLE, ON REQUEST FOR USE WITH SACHETS /01 to /09.
 EYELETS ARE AVAILABLE TO SPECIAL ORDER ON SACHETS /06 to /09.

*BL/D7410/13 INCLUDES A VIEWING WINDOW

	6864	8	26.08.16
	6588	7	14.05.14
/14 ADDED	6517	6	15.03.12
/13 ADDED	6117	5	06.10.04
REDRAWN+ADDITIONS	6046	4	29.05.03
/10 TO /12 ADDED	5918	3	07.03.02
NSN FOR /06 ADDED	5872	2	10.12.01
CHANGE	MOD No	ISSUE	DATE

MATERIAL SEE TABLE		PROTECTIVE FINISH NONE	TOLERANCES SEE TABLE	BROWNELL Ltd. LONDON NW10 7XF		RED DOT=ORIGINAL BLACK DOT=COPY	DRAWN AA	CHECKED
EST. WT.	_____	DIMENSIONS IN in/mm	mm					
		SURFACE ROUGHNESS	_____	DESICCANT SACHETS NON-INDICATING 1 GRM. TO 500 GRM. & INDICATING 1 GRM. TO 100 GRM.				
		SCALE (ORIGINAL)	_____					