

THIS DRAWING IS THE PROPERTY OF BROWNELL LTD. AND MAY NOT BE COPIED OR REPRODUCED WITHOUT THEIR PRIOR WRITTEN PERMISSION

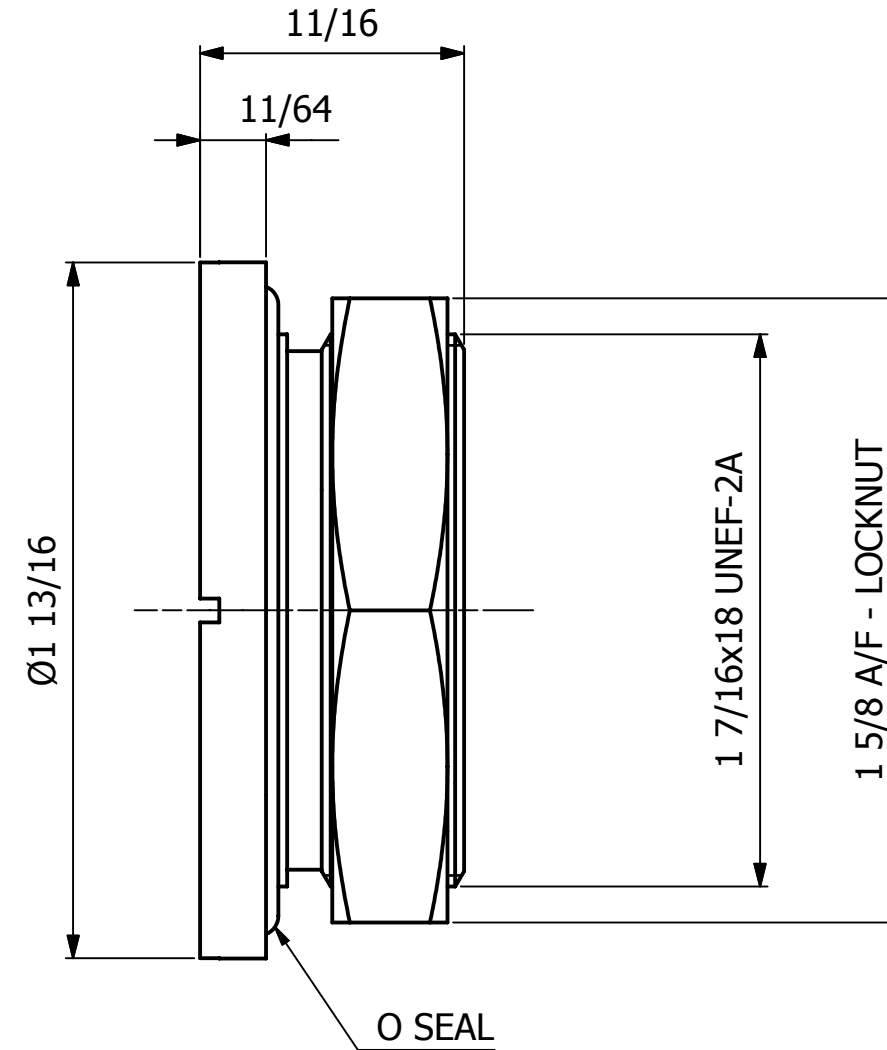
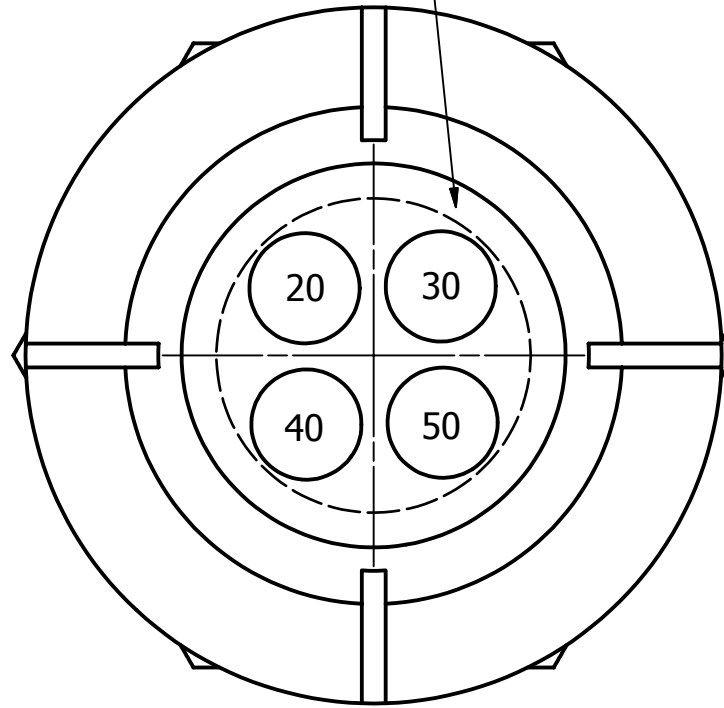
DRG No  
BL/D7455/01-02 INST  
USED ON -----

REMOVE ALL SHARP EDGES UNLESS SPECIFIED

THIRD ANGLE PROJECTION

DO NOT SCALE - ASK

TEXT :-  
"LAVENDER DOT INDICATES RELATIVE HUMIDITY"  
PRINTED IN THIS AREA.



NOTE :-  
PANEL MOUNTING HOLE : 1.45" DIA.

| DRAWING No. | CODE No | PROTECTIVE FINISH | NSN No.          |
|-------------|---------|-------------------|------------------|
| BL/D7455/01 | 2175R   | ANODISE           | 6685-99-374-3344 |
| BL/D7455/02 | 2175RB  | BLACK ANODISE     | 6685-00-914-0971 |

| CHANGE                   | MOD No | ISSUE | DATE     |
|--------------------------|--------|-------|----------|
| NSN ADDED TO BL/D7455/01 | 6295   | 5     | 11-02-09 |
| REDRAWN                  | 6286   | 4     | 21-10-08 |

|  |                                |  |   |                                      |  |             |         |
|--|--------------------------------|--|---|--------------------------------------|--|-------------|---------|
| MATERIAL<br>ALUMINIUM<br>ALLOY 6082-T6 | PROTECTIVE FINISH<br>SEE TABLE | TOLERANCES<br>UNLESS<br>OTHERWISE<br>STATED<br>±0.02 | EST. WT.<br>-----                       | <b>BROWNELL Ltd. LONDON NW10 7XF</b> | <input type="radio"/> RED DOT=ORIGINAL<br><input type="radio"/> BLACK DOT=COPY | DRAWN<br>PK | CHECKED |
|  |                                | SURFACE ROUGHNESS 125 µin                            | TITLE<br><b>INDICATOR HUMIDITY PLUG</b> |                                      | DRAWING NUMBER<br><b>BL/D7455/01-02 INST</b>                                   |             |         |
|  |                                | DIMENSIONS IN in/mm INS                              |   |                                      |  |             |         |
|  |                                | SCALE (ORIGINAL) 2:1                                 |   |                                      |  |             |         |