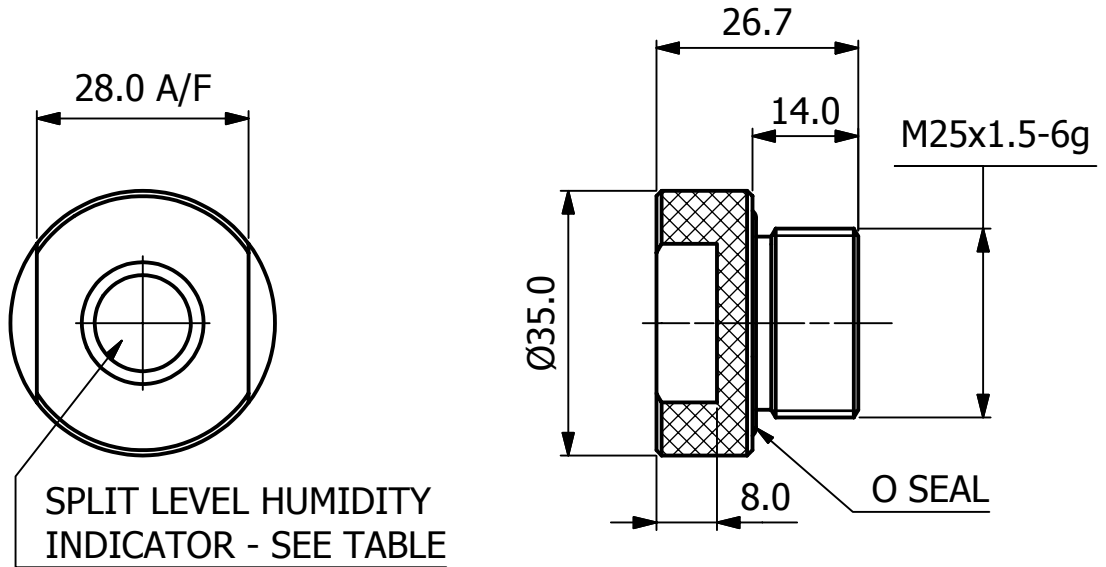


DRG No
BL/D7545/01-02 INST



USED ON -----

THIRD ANGLE PROJECTION



DRG. No.	INDICATOR LEVELS AT 25°C	NATO STOCK NUMBER (NSN)
BL/D7545/01	15 & 30% RH	1420-99-153-1875
BL/D7545/02	30 & 50% RH	-----

CONFORMS TO PRODUCT SPECIFICATION No. 6000.

MATERIAL 316 STAINLESS STEEL	PROTECTIVE FINISH NATURAL				
		NSN ADDED	6369	4	08-06-10
		REVISED	6246	3	113-08-07
EST. WT. -----	SURFACE TEXTURE	CHANGE	MOD No	ISSUE	DATE
DIMS IN mm	-----	TOLERANCES : UNLESS OTHERWISE STATED	±0.5		
SCALE 1:1					
 RED DOT = ORIGINAL  BLACK DOT = COPY	BROWNELL LTD LONDON NW10 7XF		DRAWN	CHECKED	
			PK		
TITLE HUMIDITY INDICATOR PLUG (R.F. SCREENED)			DRAWING No. BL/D7545/01-02 INST		

THIS DESIGN IS THE PROPERTY OF BROWNELL LTD, AND MAY NOT BE COPIED OR REPRODUCED WITHOUT THEIR PRIOR WRITTEN PERMISSION