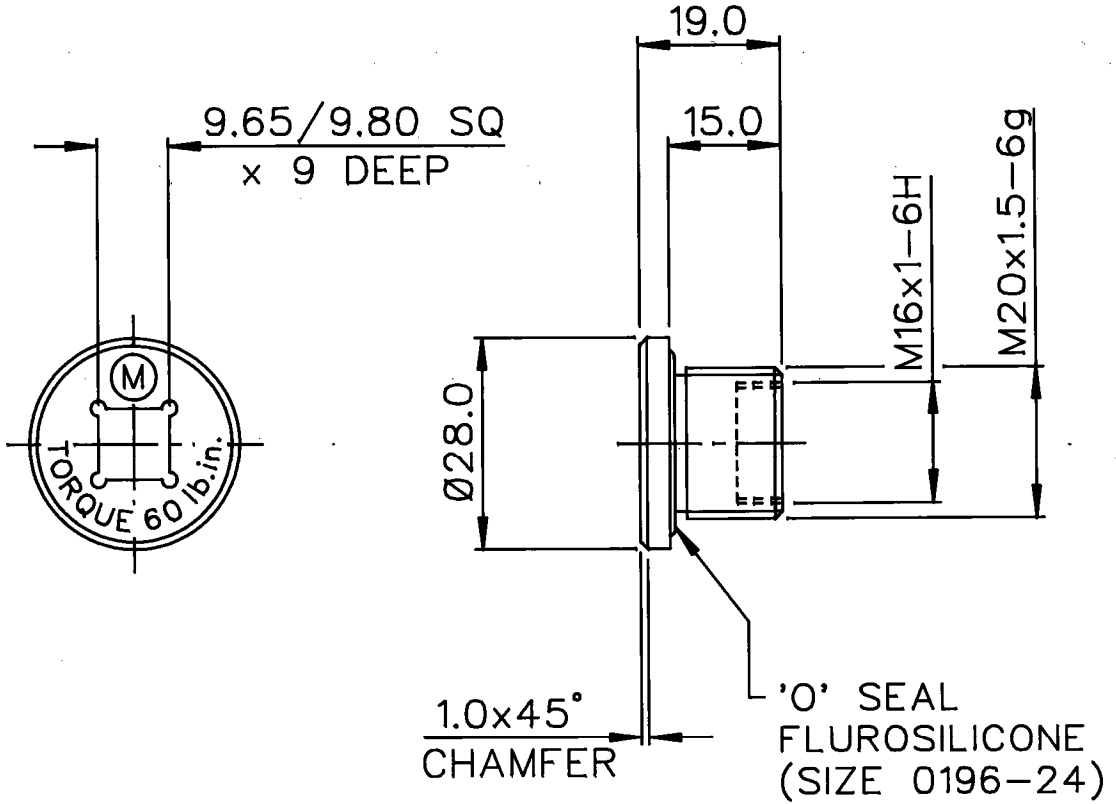


DRG No
BL/D 7603 INST

THIRD ANGLE
PROJECTION

USED ON

THIS DESIGN IS THE PROPERTY OF BROWNELL LTD
AND MAY NOT BE COPIED OR REPRODUCED WITHOUT
THEIR PRIOR WRITTEN PERMISSION



NSN CHANGED	6030	H	16/4/03
NSN ADDED	5991	G	30/9/02
'O' SEAL MATL CHANGED	5368	F	14/12/98
'O' SEAL MATL CHANGED	5300	E	20/8/98
CHAM & TORQUE ADDED	5260	D	3/6/98
'O' SEAL MATL ADDED	5180	C	12/1/98
PROFILE CHANGED SQ DRIVE DEPTH 9.0 WAS 6.0	5074	B	28/5/97
		A	23/4/97
CHANGE	MOD No	ISSUE	DATE

MATERIAL	PROTECTIVE FINISH
ALUM ALLOY	ANODISED BLUE-BLACK
EST. WT. —	
DIMNS IN mm	SURFACE ROUGHNESS
SCALE 1:1	—

TOLERANCES	±0.3
------------	------

BROWNELL LIMITED LONDON NW10		DRAWN LJ	CHKD K
SUB CONT.		SUB CONT. DRG REF.	
TITLE 5365-99-742-7029 DESICCATOR MOUNTING PLUG		DRAWING No BL/D 7603 INST	