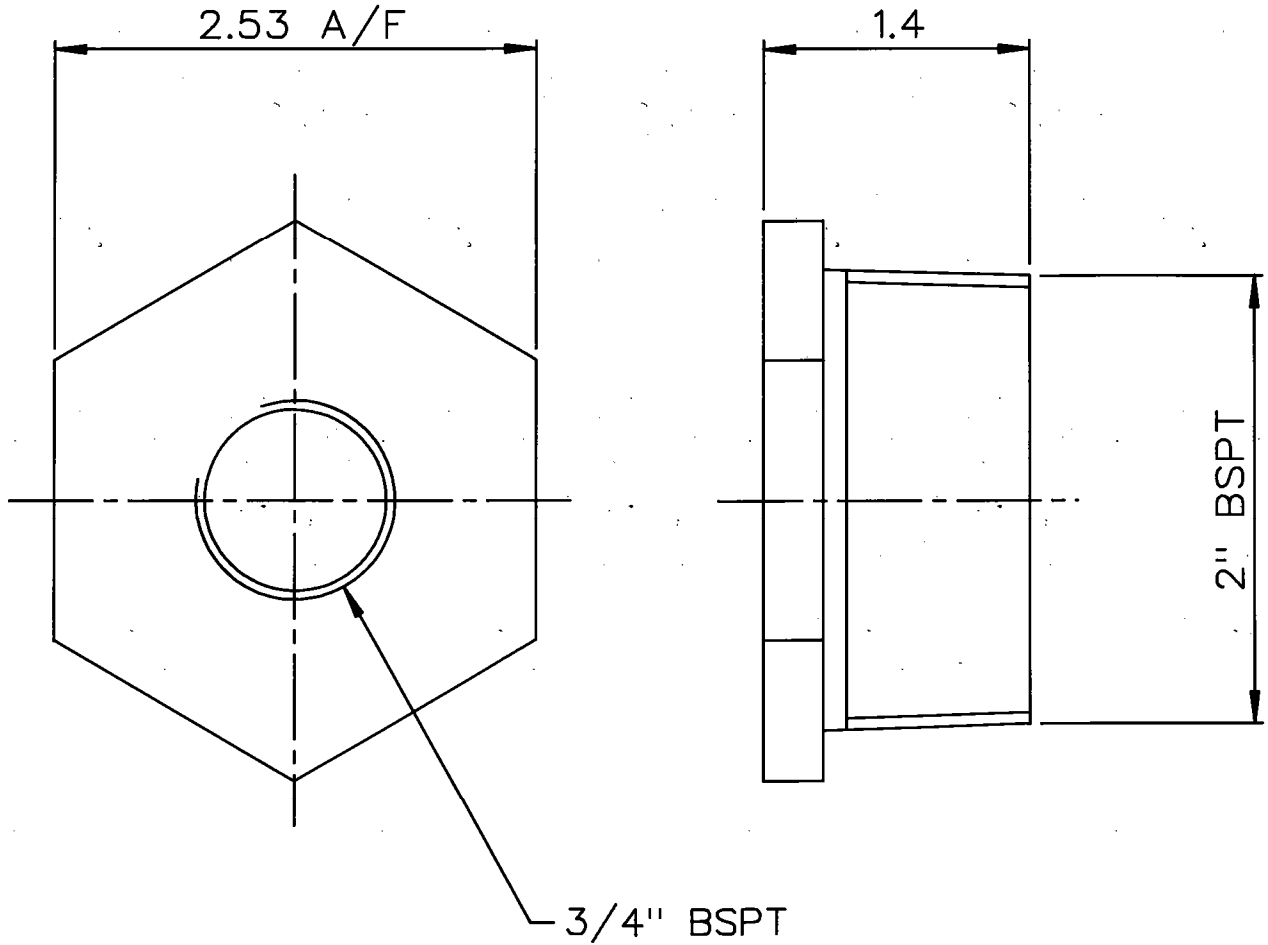


DRG No

BL/D 7937

THIRD ANGLE  
PROJECTION

USED ON



THIS DESIGN IS THE PROPERTY OF BROWNELL LTD  
AND MAY NOT BE COPIED OR REPRODUCED WITHOUT  
THEIR PRIOR WRITTEN PERMISSION

REF No: 231-6515

CODE No: 258

MATERIAL		PROTECTIVE FINISH					
MALLEABLE IRON		NATURAL (BLACK)					
EST. WT. —						A	27/7/98
DIMNS IN INS		SURFACE ROUGHNESS		TOLERANCES			
SCALE 1 : 1		—		±0.060			
BROWNELL LIMITED LONDON NW10						DRAWN LJ	CHKD A
SUB CONT. —				SUB CONT. DRG REF. —			
TITLE ADAPTOR BUSH (2" BSPT x 3/4" BSPT)				DRAWING No BL/D 7937			