

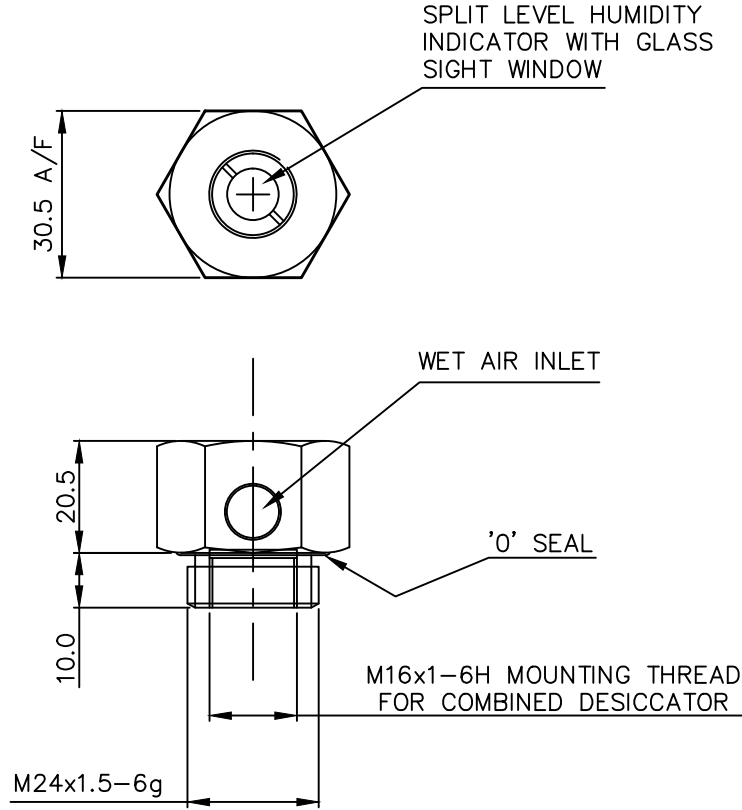
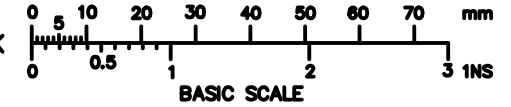
THIS DRAWING IS THE PROPERTY OF BROWNELL LTD. AND MAY NOT BE COPIED OR REPRODUCED WITHOUT THEIR PRIOR WRITTEN PERMISSION

DRG No
BL/D8555/01-07 INST
USED ON _____

THIRD ANGLE PROJECTION

REMOVE ALL SHARP EDGES UNLESS SPECIFIED

DO NOT SCALE - ASK



DRG. No.	INWARD OPENING PRESSURE	OUTWARD OPENING PRESSURE	INDICATOR LEVELS
BL/D8555/01	1.0±0.25 PSI	1.0±0.25 PSI	15 & 30% RH
BL/D8555/02	1.0±0.25 PSI	1.0±0.25 PSI	30 & 50% RH
BL/D8555/03	1.5±0.25 PSI	1.5±0.25 PSI	15 & 30% RH
BL/D8555/04	1.5±0.25 PSI	1.5±0.25 PSI	30 & 50% RH
BL/D8555/05	0.5±0.25 PSI	0.5±0.25 PSI	30 & 50% RH
BL/D8555/06	0.25±0.20 PSI	0.25±0.20 PSI	15 & 30% RH
BL/D8555/07	0.5±0.25 PSI	0.5±0.25 PSI	15 & 30% RH

NOTES :-

1. MAXIMUM FLOW RATE: 6 L/MIN AT 1 PSI ABOVE RELIEF PRESSURE.
2. MAXIMUM LEAK RATE: 1 cc/hr AT 0.5 PSI BELOW BREAK PRESSURE.
3. M24 & M16 THREADS ARE ALOCHROMED FOR R.F. SCREENING CONTINUITY.

/07 ADDED	6928	6	01/06/17
CHANGED TOLERANCE ON /06	6527	5	18-07-12
/06 ADDED	6523	4	11-06-12
/05 ADDED	6106	C	15-07-04
/03 & /04 ADDED	5750	B	29-01-01
ORIGINAL		A	02-02-00
CHANGE	MOD No	ISSUE	DATE

MATERIAL ALUMINIUM ALLOY	PROTECTIVE FINISH ANODISED BLACK SEE NOTE 3	TOLERANCES ±1.0	BROWNELL Ltd. LONDON NW10 7XF	RED DOT-ORIGINAL BLACK DOT-COPY	DRAWN AF	CHECKED RB
		DIMENSIONS IN in/mm MM				
EST. WT. _____	SURFACE ROUGHNESS _____	TITLE DOUBLE DIFFERENTIAL RELIEF VALVE WITH HUMIDITY INDICATOR (R.F. SCREENED)		DRAWING NUMBER BL/D8555/01-07 INST		
	SCALE (ORIGINAL) 1:1					