

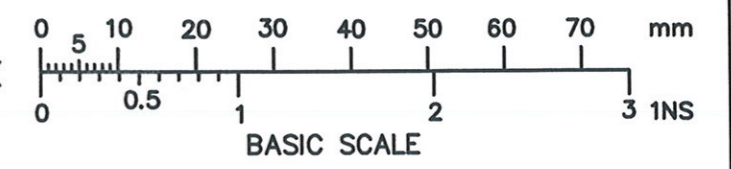
THIS DRAWING IS THE PROPERTY OF BROWNELL LTD. AND MAY NOT BE COPIED OR REPRODUCED WITHOUT THEIR PRIOR WRITTEN PERMISSION

DRG No
BL/D9146/01-05 INST
USED ON

THIRD ANGLE PROJECTION

REMOVE ALL SHARP EDGES UNLESS SPECIFIED

DO NOT SCALE - ASK



NOTES UNLESS OTHERWISE SPECIFIED:

1. NOMENCLATURE: VALVE, BREATHER, TWO-WAY RELIEF WITH MANUAL RELEASE BUTTON.
2. THIS VALVE IS NOT REPAIRABLE EXCEPT BY BROWNELL LTD.
3. THE FOLLOWING ITEMS FURNISHED AS PART OF THE ASSEMBLY MAY BE PURCHASED SEPARATELY:

PART No. BL/D9183 O RING
BL/D9184 NUT

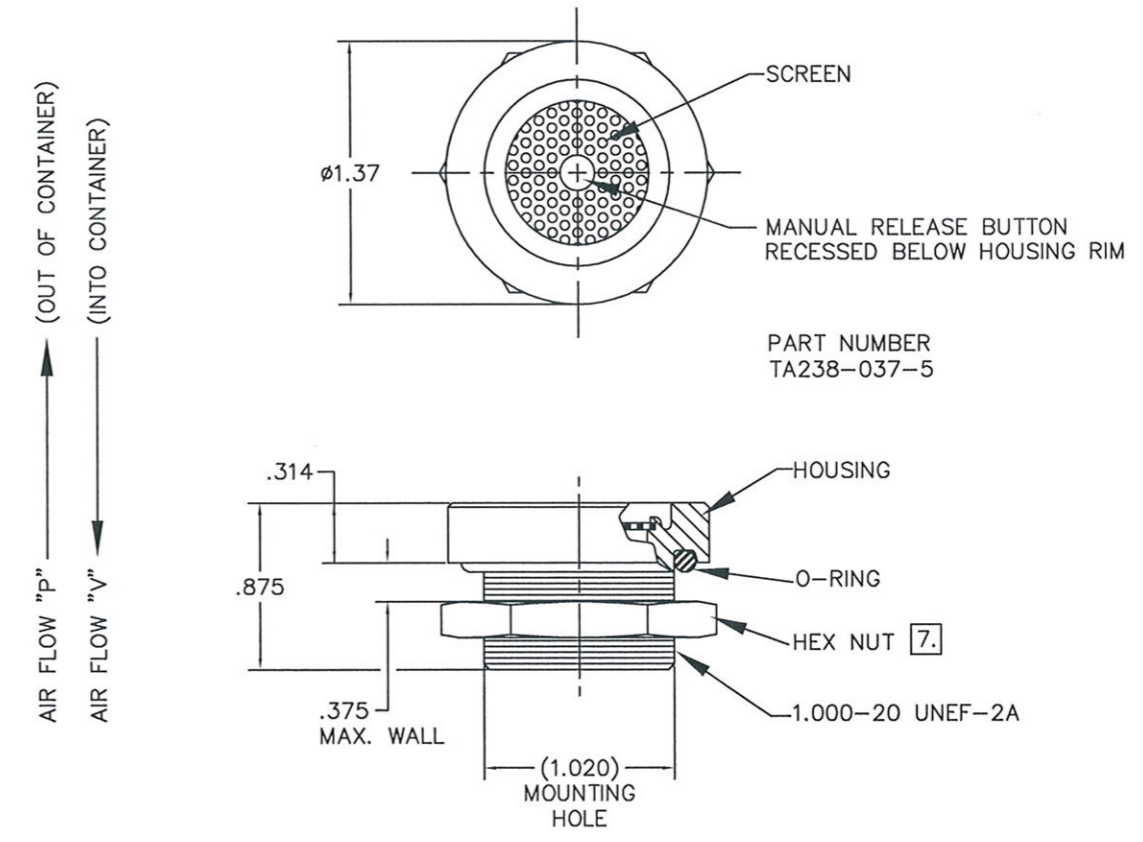
4. MATERIALS:

- 4.1 HOUSING, NUT, SCREEN AND RELEASE BUTTON: ALUMINUM ALLOYS.
- 4.2 O-RING: IAW MS28775-120

5. FINISH:

- 5.1 HOUSING, NUT AND SCREEN: ANODIZED IAW MIL-A-8625, TYPE II, CLASS 2, DYED BLACK.
- 5.2 RELEASE BUTTON: ANODIZED IAW MIL-A-8625, TYPE II, CLASS 2, DYED RED.

6. SUGGESTED INSTALLATION TORQUE 30 ±5 INCH POUNDS.



DRG No.	RATING	PRESSURE SIDE (FLOW OUT)			VACUUM SIDE (FLOW IN)			MIN FLOW RATE 4 SCFM @
		CRACK PRESSURE	RESEAL	MIN FLOW RATE 4 SCFM @	RATING	CRACK PRESSURE	RESEAL	
BL/D9146/01	0.5 PSID	0.4 - 0.8 PSID	0.2 PSID	1.5 PSID	0.5 PSID	0.4 - 0.8 PSID	0.2 PSID	1.5 PSID
BL/D9146/02	1.5 PSID	1.0 - 1.9 PSID	0.8 PSID	2.9 PSID	1.5 PSID	1.0 - 1.9 PSID	0.8 PSID	2.9 PSID
BL/D9146/03	2.5 PSID	1.7 - 3.0 PSID	1.4 PSID	5.0 PSID	3.5 PSID	2.4 - 4.0 PSID	2.0 PSID	5.1 PSID
BL/D9146/04	2.5 PSID	1.7 - 3.0 PSID	1.4 PSID	5.0 PSID	0.5 PSID	0.4 - 0.8 PSID	0.2 PSID	1.5 PSID
BL/D9146/05	3.2 PSID	2.4 - 4.0 PSID	2.0 PSID	5.1 PSID	3.2 PSID	2.4 - 4.0 PSID	2.0 PSID	5.1 PSID

REDRAWN	6227	2	28-03-07
CHANGE	MOD No	ISSUE	DATE

MATERIAL 4.	PROTECTIVE FINISH 5.	TOLERANCES DECIMALS .XX ±.015 .XXX ±.010 ANGLES ±0.5°	BROWNELL Ltd. LONDON NW10 7XF	DRAWN PK	CHECKED [Signature]
EST. WT.		SURFACE TEXTURE	TITLE VALVE BREATHER TWO-WAY RELIEF	DRAWING NUMBER BL/D9146/01-05 INST	
		DIMENSIONS IN in/mm			
		SCALE (ORIGINAL)	2:1		