

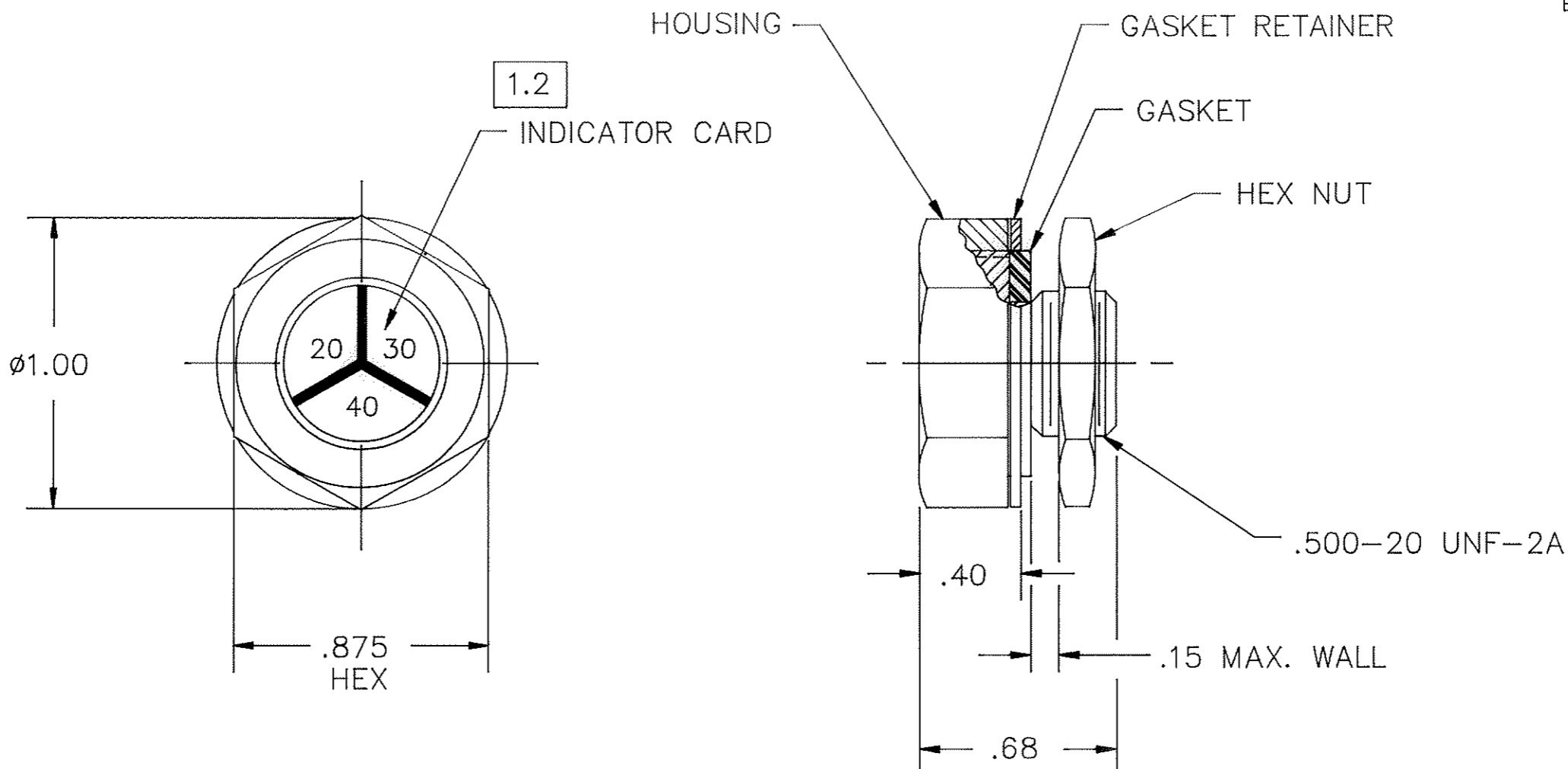
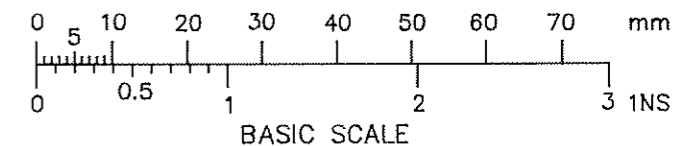
DRG No
BL/D9186 INST

USED ON

THIRD ANGLE PROJECTION

REMOVE ALL SHARP EDGES UNLESS SPECIFIED

DO NOT SCALE - ASK



NOTES UNLESS OTHERWISE SPECIFIED:

1. PERFORMANCE:

1.1 HUMIDITY INDICATOR PERFORMANCE SHALL BE IAW MS18013-3 AND SAE AS26860, TYPE II.

1.2 THE RELATIVE HUMIDITY OF THE CONTAINER AIR IS INDICATED BY THE 20, 30 AND 40 PERCENT SEGMENTS ON THE INDICATOR CARD. A BLUE COLOR IN SEGMENT INDICATES RH IS LESS THAN NUMBER IN THAT SEGMENT. A LAVENDER OR PINK COLOR IN SEGMENT INDICATES RH IS EQUAL TO OR GREATER THAN NUMBER IN THAT SEGMENT. COLOR CHANGE IS REVERSIBLE UNDER NORMAL CONDITIONS.

2. MATERIALS:

2.1 HOUSING, HEX NUT AND GASKET RETAINER: BRASS

2.2 GASKET: SILICONE ELASTOMER

2.3 WINDOW: BOROSILICATE GLASS IAW MIL-C-7989, CLASS C.

2.4 HUMIDITY INDICATOR CARD: CHEMICALLY IMPREGNATED BLOTTER PAPER IAW MIL-I-8835.

3. FINISH: HOUSING, HEX NUT AND GASKET RETAINER ZINC PLATED IAW ASTM B 633, TYPE OPTIONAL.

		A	25/2/02
CHANGE	MOD No	ISSUE	DATE

MATERIAL	PROTECTIVE FINISH	TOLERANCES	CUSTOMER	CUSTOMER'S REF	DRAWN	CHECKED
2.	3.	DECIMALS .XX ±.030 .XXX ±.010	BROWNELL Ltd. LONDON NW10		LJ	
EST. WT.		ANGLES ±0.5°	TITLE	DRAWING NUMBER		
—		DIMENSIONS IN INS/mm	HUMIDITY INDICATOR	BL/D9186 INST		
		INS				
		SCALE (ORIGINAL)				
		2:1				