

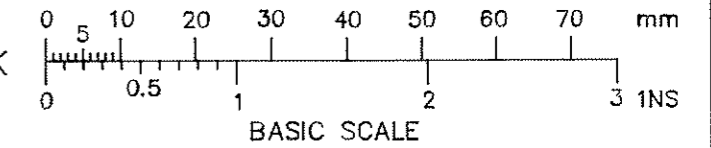
DRG No
BL/D 9188/01 INST

USED ON

THIRD ANGLE PROJECTION

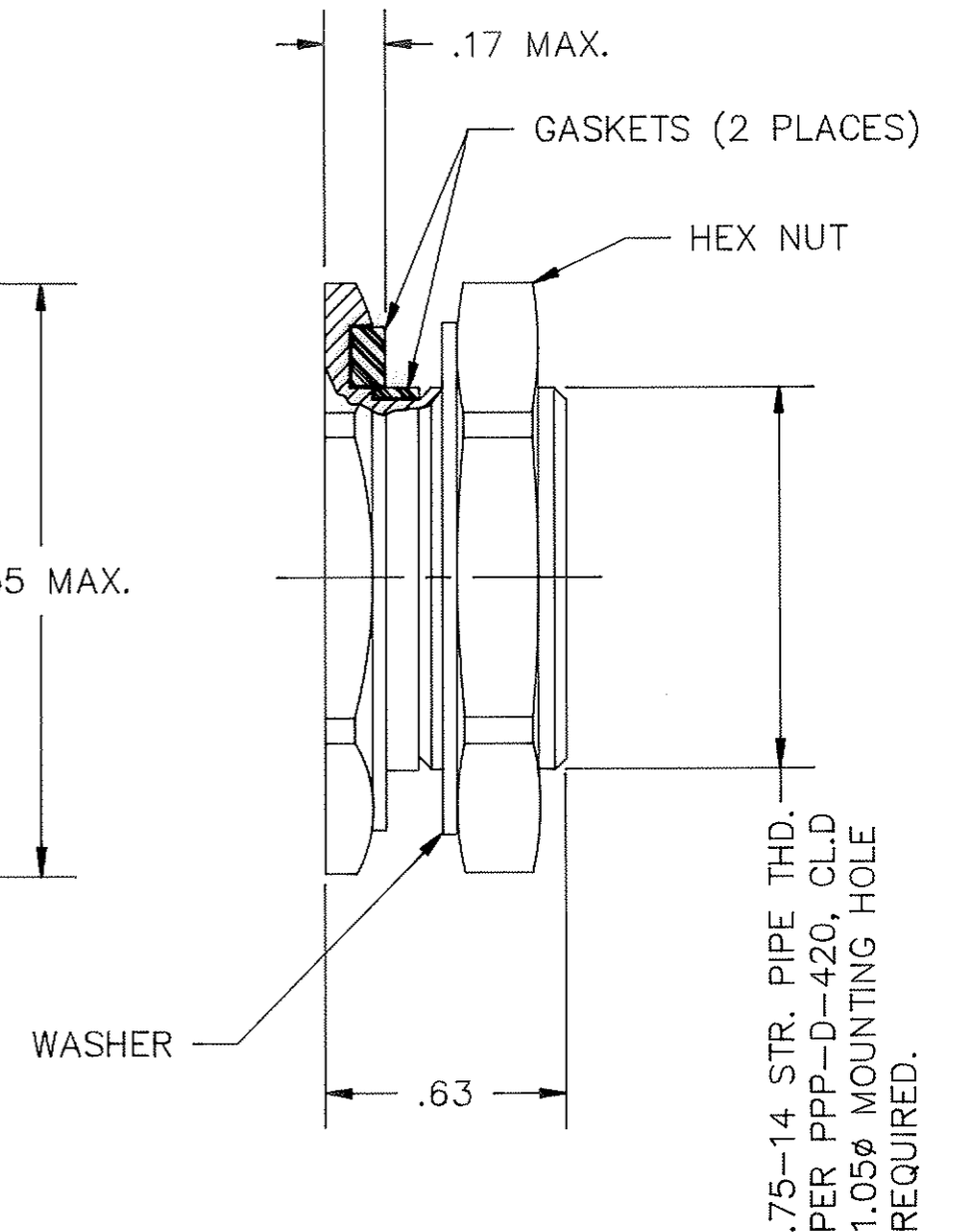
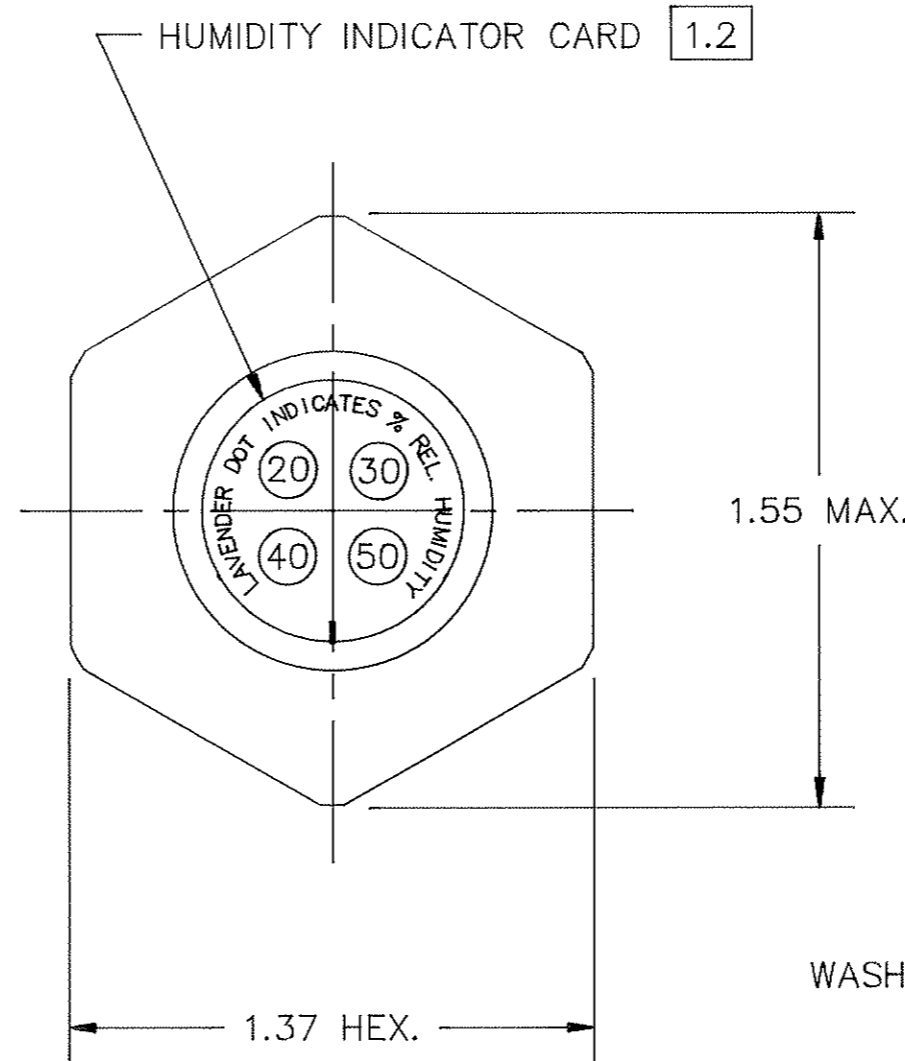
REMOVE ALL SHARP EDGES UNLESS SPECIFIED

DO NOT SCALE - ASK



NOTES:

1. SPECIFICATIONS:
 - 1.1 THIS HUMIDITY INDICATOR PLUG MEETS THE REQUIREMENTS OF SAE AS26860 TYPE II FOR MOUNTING THRU A \varnothing 1.05 HOLE.
 - 1.2 RELATIVE HUMIDITY OF AIR IS INDICATED BY 20, 30, 40 AND 50 PERCENT SPOTS ON INDICATOR CARD. BLUE SPOT INDICATES RH IS LESS THAN NUMBER ON CARD. PINK OR WHITE SPOT INDICATES RH IS EQUAL TO OR GREATER THAN NUMBER SHOWN ON CARD. INDICATOR COLOR CHANGE IS REVERSIBLE.
2. MATERIALS AND FINISH:
 - 2.1 HOUSING, HEX NUT, WASHER, AND LOCKSCREW; BRASS PER QQ-B-626.
 - 2.2 FINISH; BRASS ZINC PLATED IAW QQ-Z-325, TYPE I, CLASS 2.
 - 2.3 INDICATOR CARD; CHEMICALLY IMPREGNATED BLOTTER PAPER PER MIL-I-8835.
 - 2.4 GASKETS; PER MIL-R-6855, CL.II, GR. 60.
 - 2.5 WINDOW; PLEXIGLAS PER MIL-P-5425.
- 3.0 REPLACEMENT INDICATOR CARDS MAY BE ORDERED AS P/N BL/D9192/01.



		A	7/3/02

CHANGE	MOD No	ISSUE	DATE
CUSTOMER'S REF		DRAWN	CHECKED
		LJ	[Signature]

DRAWING NUMBER BL/D 9188/01 INST	
-------------------------------------	--

MATERIAL [2.1]	PROTECTIVE FINISH [2.2]	TOLERANCES DECIMALS .XX \pm .015 .XXX \pm .010 ANGLES \pm 0.5°	CUSTOMER BROWNELL Ltd. LONDON NW10
EST. WT.		DIMENSIONS IN INS/mm INS SCALE (ORIGINAL) 2:1	TITLE HUMIDITY INDICATOR PLUG