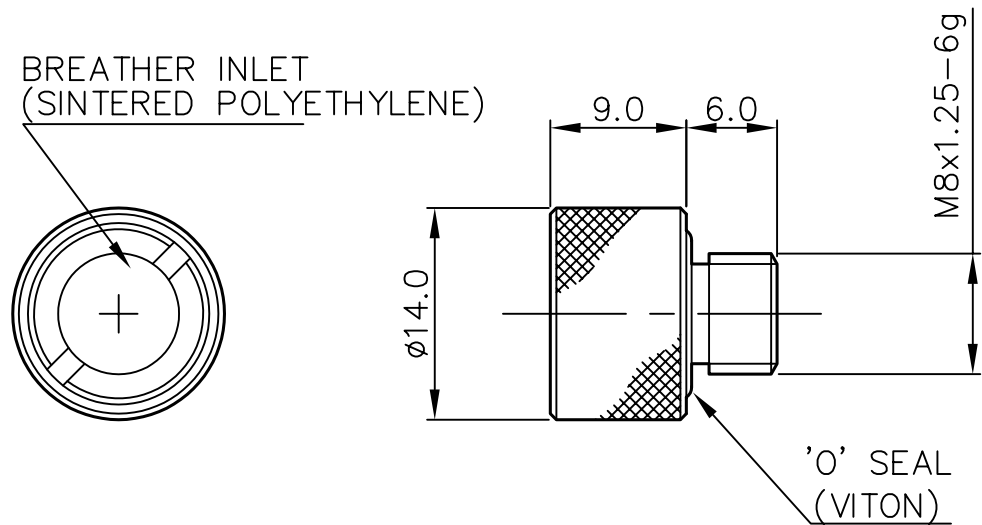


DRG No
BL/D9660 INST
USED ON _____

THIRD ANGLE PROJECTION





NOTES :-

- 1) TEMPERATURE RANGE -30°C $+80^{\circ}\text{C}$ (OPERATING).
- 2) CONFORMS TO DEF STAN 44-2 WHERE APPLICABLE.
- 3) IP64
- 4) FLOWRATE : 5 litres/min @ 1.0 p.s.i.
- 5) CONTAINS TWO 20μ SINTERED FILTER DISKS

THIS DOCUMENT / DRAWING IS SUBJECT TO CERTIFICATION. IT CANNOT BE ALTERED WITHOUT PRIOR AUTHORIZATION FROM SERVOMEX GROUP LTD.

THIS DESIGN IS THE PROPERTY OF BROWNELL LTD, AND MAY NOT BE COPIED OR REPRODUCED WITHOUT THEIR PRIOR WRITTEN PERMISSION

MATERIAL BRASS (NON-SPARKING)	PROTECTIVE FINISH NICKEL PLATED				
			6228	3	29-03-07
			6226	2	22-03-07
	ORIGINAL		1	08-03-05	
EST. WT. _____	SURFACE ROUGHNESS _____	CHANGE	MOD No	ISSUE	DATE
DIMS IN MM _____		TOLERANCES			
SCALE 2:1		± 0.5			
 RED DOT = ORIGINAL  BLACK DOT = COPY	BROWNELL LTD LONDON NW10 7XF		DRAWN PK	CHECKED	

TITLE
BREATHER HEAD

DRAWING No.
BL/D9660 INST