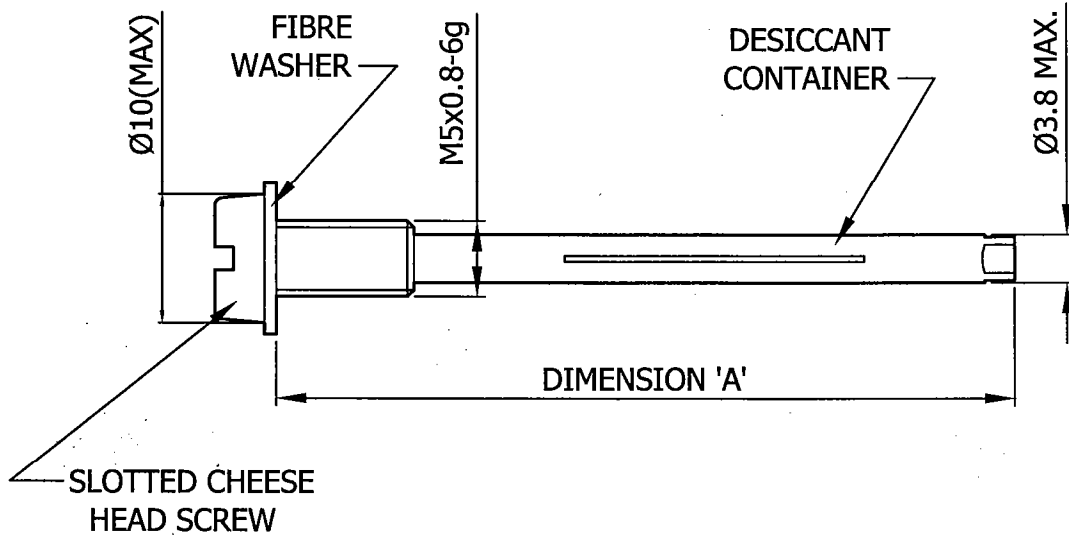


DRG No  
BL/D9705/01-03 INST

THIRD ANGLE PROJECTION

USED ON





DRG. No.	DIMN 'A'
BL/D9705/01	25
BL/D9705/02	50
BL/D9705/03	100

**NOTES :-**

- 1) FILLED WITH MOLECULAR SIEVES DESICCANT, GRADE 4A - SPEC. BS7444.
- 2) PACKAGED FOR A SHELF LIFE OF 5 YEARS, WHEN STORED IN TEMPERATE CONDITIONS.

THIS DESIGN IS THE PROPERTY OF BROWNELL LTD, AND MAY NOT BE COPIED OR REPRODUCED WITHOUT THEIR PRIOR WRITTEN PERMISSION

MATERIAL SCREW = ST.ST. DESICCATOR = ALUMINIUM ALLOY	PROTECTIVE FINISH SCREW = Z&PASS DESICCANT TUBE = ANODISE & DYE BLACK				
EST. WT. _____	SURFACE ROUGHNESS _____	ORIGINAL		1	16-06-05
DIMS IN MM _____	TOLERANCES _____	CHANGE	MOD No	ISSUE	DATE
SCALE 2:1					
 RED DOT = ORIGINAL BLACK DOT = COPY	<b>BROWNELL LTD</b> LONDON NW10 7XF	DRAWN PK	CHECKED 		
TITLE <b>STICK DESICCATOR</b>	DRAWING No. <b>BL/D9705/01-03 INST</b>				