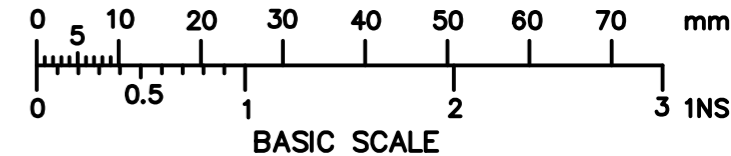


DRG No
BL/D9720/01-06

THIRD ANGLE PROJECTION

DO NOT SCALE - ASK



USED ON _____

REMOVE ALL SHARP EDGES UNLESS SPECIFIED

NOTES UNLESS OTHERWISE SPECIFIED:

1. NOMENCLATURE: VALVE, BREATHER, TWO-WAY RELIEF WITH MANUAL RELEASE BUTTON AND HUMIDITY INDICATOR.
2. REFERENCE SPECIFICATIONS: SAE AS26860, TYPE II, WITH COLOR CHANGE INDICATOR, AND SAE AS27166, TYPE III, WITH MODIFIED PERFORMANCE AS SHOWN BELOW:
3. PERFORMANCE:

3.1 THE RELATIVE HUMIDITY (RH) OF THE CONTAINER AIR IS INDICATED BY 20, 40 AND 60 PERCENT SEGMENTS ON INDICATOR CARD. A BLUE COLOR IN SEGMENT INDICATES RH IS LESS THAN NUMBER IN THAT SEGMENT. A LAVENDER OR PINK COLOR IN SEGMENT INDICATES RH IS EQUAL TO OR GREATER THAN NUMBER IN THAT SEGMENT. COLOR CHANGE IS REVERSIBLE UNDER NORMAL CONDITIONS.

4. RECOMMENDED INSTALLATION TORQUE 40±10 INCHES-POUNDS.

5. MATERIALS:

5.1 HOUSING, MANUAL RELEASE BUTTON, NUT AND WASHER: ALUMINUM ALLOY.

5.2 VALVE STEM (NOT SHOWN): CORROSION RESISTANT STEEL IAW AMS 5640.

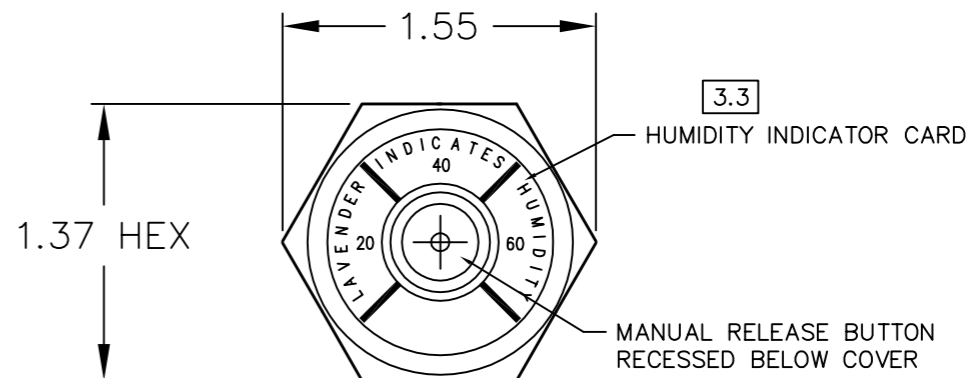
5.3 WINDOW: TRANSPARENT HIGH STRENGTH PLASTIC.

5.4 GASKET: SILICONE RUBBER IAW ZZ-R-765, CLASS 2A OR 2B, GRADE 60.

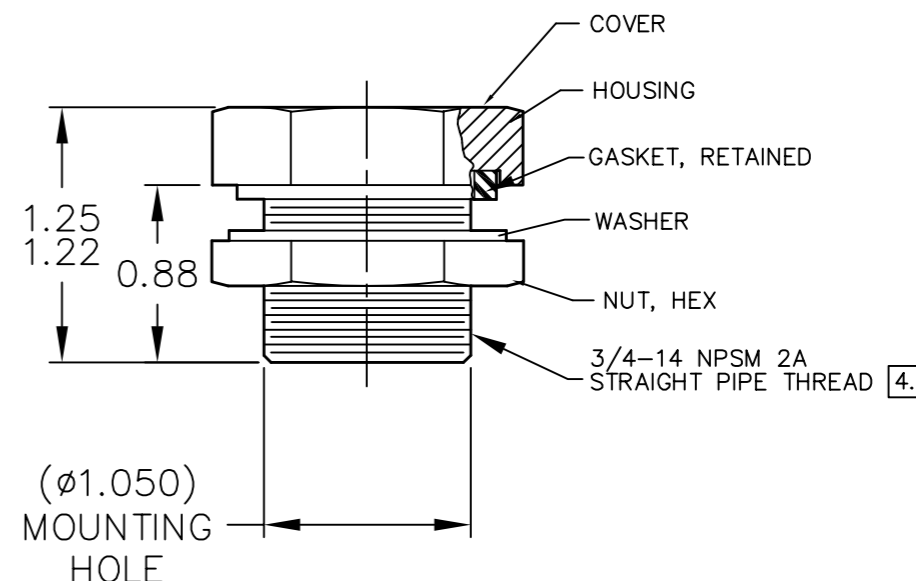
6. FINISHES:

6.1 VALVE HOUSING, ANODIZED IAW MIL-A-8625, TYPE II, CLASS 1. REMAINING ALUMINUM ALLOYS: CONVERSION COAT IAW MIL-C-5541, CLASS 3.

6.2 MANUAL RELEASE BUTTON: ANODIZED IAW MIL-A-8625, TYPE II, CLASS 2, COLOR BLACK.



AIR FLOW "P" (OUT OF CONTAINER)
AIR FLOW "V" (INTO CONTAINER)



| DRG. No. | PRESSURE SIDE (FLOW OUT) | | VACUUM SIDE (FLOW IN) | |
|-------------|--------------------------|----------------------|-----------------------|----------------------|
| | SEALED @ | FLOW RATE @ PRESSURE | SEALED @ | FLOW RATE @ PRESSURE |
| BL/D9720/01 | 0.5 PSID | 2.0 SCFM @ 2.0 PSID | 0.5 PSID | 2.0 SCFM @ 2.0 PSID |
| BL/D9720/02 | 1.0 PSID | 1.5 SCFM @ 2.5 PSID | 1.0 PSID | 2.0 SCFM @ 2.5 PSID |
| BL/D9720/03 | 1.5 PSID | 1.5 SCFM @ 3.0 PSID | 1.5 PSID | 2.5 SCFM @ 3.0 PSID |
| BL/D9720/04 | 2.0 PSID | 1.0 SCFM @ 3.5 PSID | 2.0 PSID | 2.5 SCFM @ 3.5 PSID |
| BL/D9720/05 | 2.5 PSID | 1.0 SCFM @ 4.0 PSID | 2.5 PSID | 2.0 SCFM @ 4.0 PSID |
| BL/D9720/06 | 3.0 PSID | 0.5 SCFM @ 4.5 PSID | 3.0 PSID | 2.0 SCFM @ 4.5 PSID |

| CHANGE | MOD No | ISSUE | DATE |
|--------------------|--------|-------|----------|
| FLOW RATES REVISED | 6531 | 3 | 05.11.12 |
| FLOW RATES REVISED | 6373 | 2 | 16-08-10 |
| ORIGINAL | | 1 | 08-07-05 |

| | | | | | | |
|------------------------|---------------------------------|---------------------|-------------------------------|-------------|---------------------|-----|
| MATERIAL SEE NOTE 5 | PROTECTIVE FINISH SEE NOTE 6 | TOLERANCES | BROWNELL Ltd. LONDON NW10 7XF | DRAWN PL | CHECKED | |
| | | DIMENSIONS IN in/mm | | | | INS |
| EST. WT. | | SURFACE ROUGHNESS | | TITLE | DRAWING NUMBER | |
| | | SCALE (ORIGINAL) | | 1:2 | BL/D9720/01-06 INST | |

HUMI VALVE

RED DOT=ORIGINAL
BLACK DOT=COPY

THIS DRAWING IS THE PROPERTY OF BROWNELL LTD. AND MAY NOT BE COPIED OR REPRODUCED WITHOUT THEIR PRIOR WRITTEN PERMISSION