

DRG No
DV3-05 INST

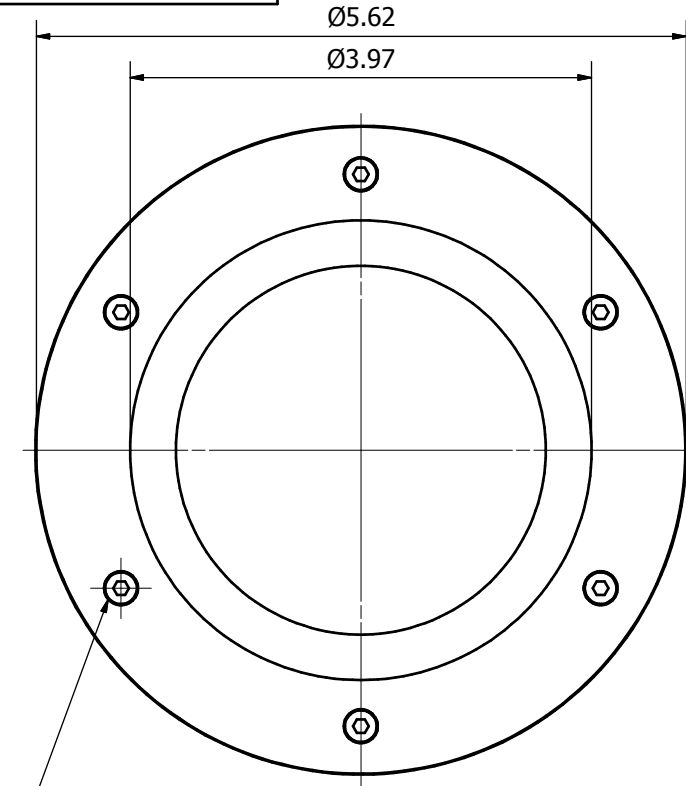
REMOVE ALL SHARP EDGES UNLESS SPECIFIED

THIRD ANGLE PROJECTION

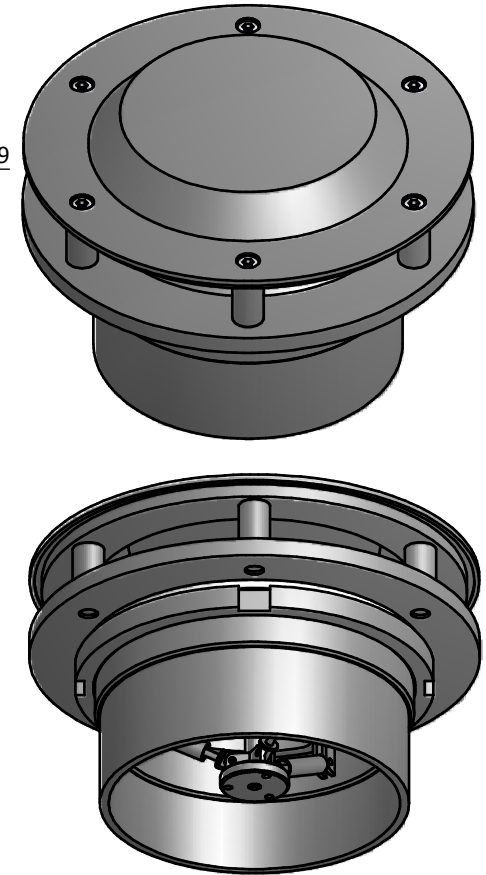
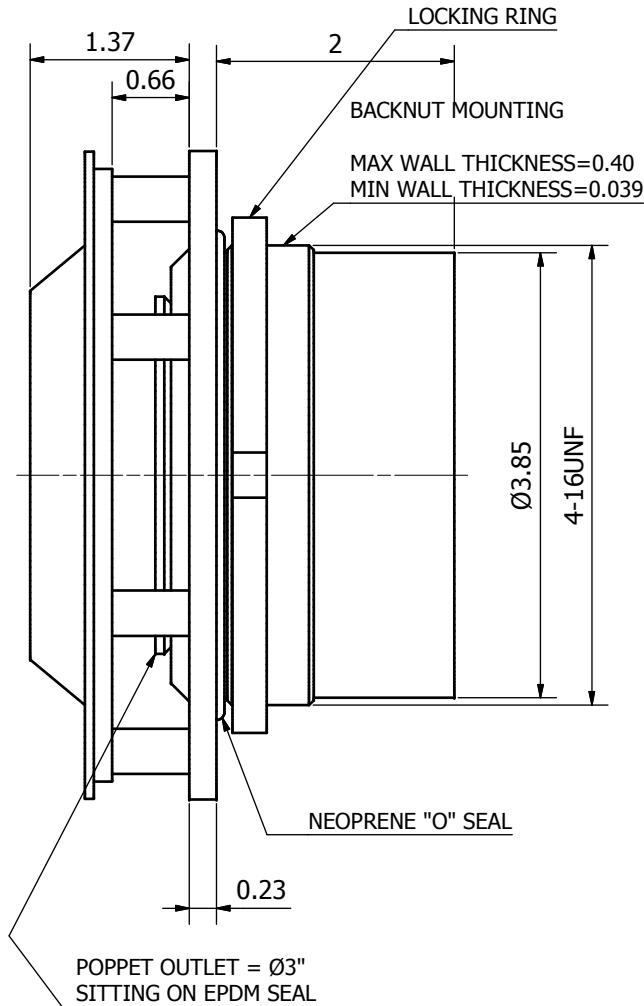
DO NOT SCALE - ASK

USED ON

THIS DRAWING IS THE PROPERTY OF BROWNELL LTD. AND MAY NOT BE COPIED OR REPRODUCED WITHOUT THEIR PRIOR WRITTEN PERMISSION



6XM4 SOCKETHEAD SCREWS FOR GUARD ATTACHMENT SITTING FLUSH (STAINLESS STEEL)



NOTES

1. FLOW PERFORMANCE OF 400 SCFM BY 1.2 PSID
2. NO FLOW IN REVERSE DIRECTION UNDER 5 PSI
3. VALVE OPENS AT 0.5 PSI

FLOW DIRECTION

		2	30/04/09
		1	03/07/08
CHANGE	MOD No	ISSUE	DATE

MATERIAL ALUMINIUM ALLOY BS4300/S (2011T3)	PROTECTIVE FINISH MIL-A-8625, TYPE II, CLASS 2, DYED BLACK	TOLERANCES UNLESS OTHERWISE STATED	<p>BROWNELL Ltd. LONDON NW10 7XF</p> <p>TITLE 3 INCH VALVE (OUTWARDS)</p>	<p>RED DOT=ORIGINAL</p> <p>BLACK DOT=COPY</p>	DRAWN JB	CHECKED
EST. WT. 0.73 Kg		SURFACE ROUGHNESS		DRAWING NUMBER DV3-05 INST		
		DIMENSIONS IN in/mm				
		SCALE (ORIGINAL)		1:1.3		