

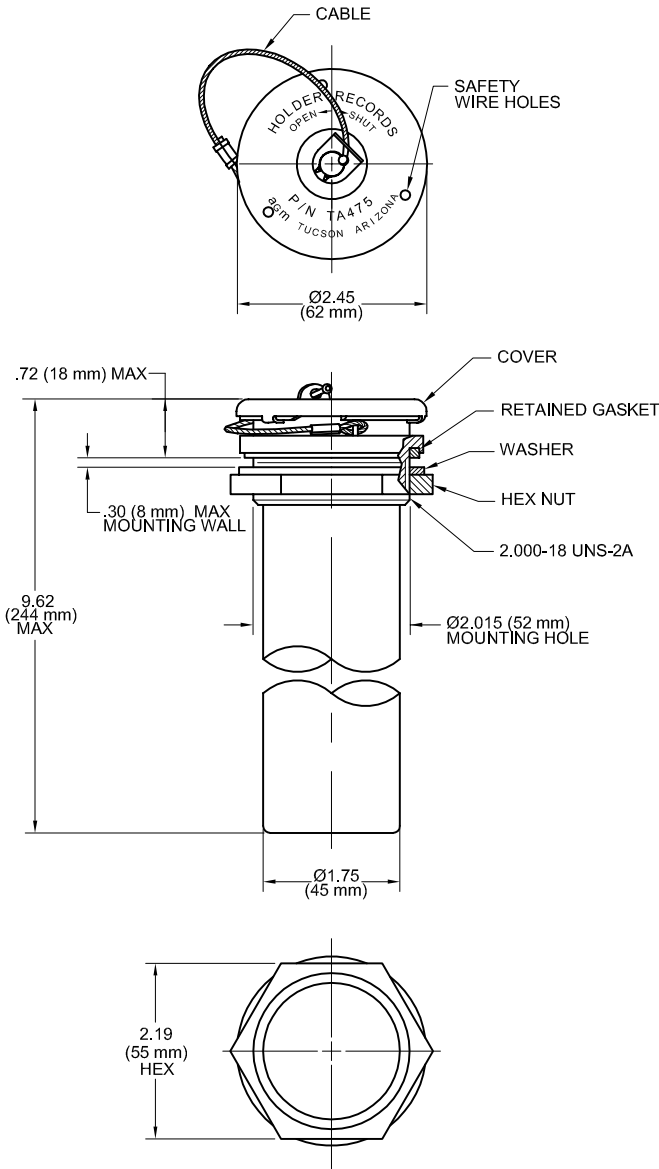


Records Holders

AGM CONTAINER CONTROLS, INC.
 PO BOX 40020 • TUCSON ARIZONA 85717-0020
 Tel: 800-995-5590 (520) 881-2130 • Fax: (520) 881-4983
 www.agmcontainer.com • sales@agmcontainer.com

TA475

Adequate for a few sheets up to legal size (8 1/2" x 14").



Min. inside dimensions:
 1.70 in. (43 mm) dia. x 9.0 in. (229 mm) long.

Weight: 0.31 lbs. (140 grams)

Materials & Finish

Aluminum alloys, conversion coated per MIL-C-5541. Stainless steel cover, passivated. Buna-N o-ring and gasket.

Torque value for hex nut: 80 in.-lbs. (9 N•m)

For use in shipping and storage containers, the TA475 Records Holder provides a convenient, safe and easily accessible place for inspection records and instructions.

The lightweight records holder is waterproof and is sealed from the inside of the container by a retained gasket. An o-ring in the spring loaded cover seals the records compartment from the outside.

Designed for mounting on a smooth, flat surface; it may not seal tightly if surface is curved or domed.

Simple to Use: Roll the records or instructions and insert into tube. Press on cover and twist about 30 degrees.

Easily Installed. Install holder through a 2.02" (51 mm) dia. hole in container wall. Gasket, washer and hex nut are furnished.

Tamper-Proof. Holes through cover and flange of records holder are provided for safety wiring and inspector's seal.